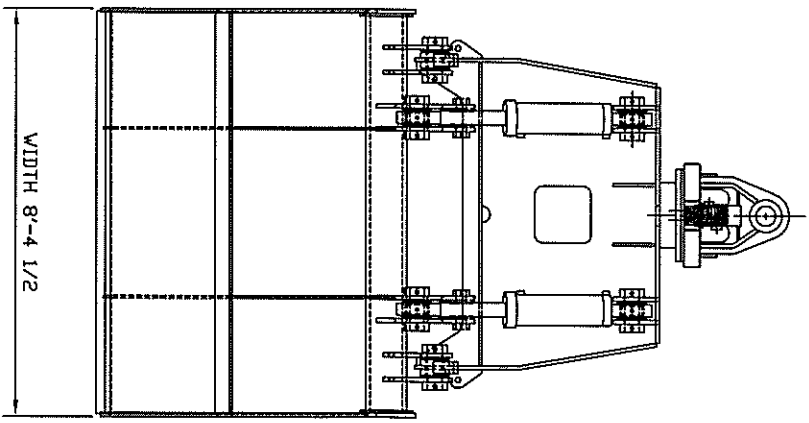
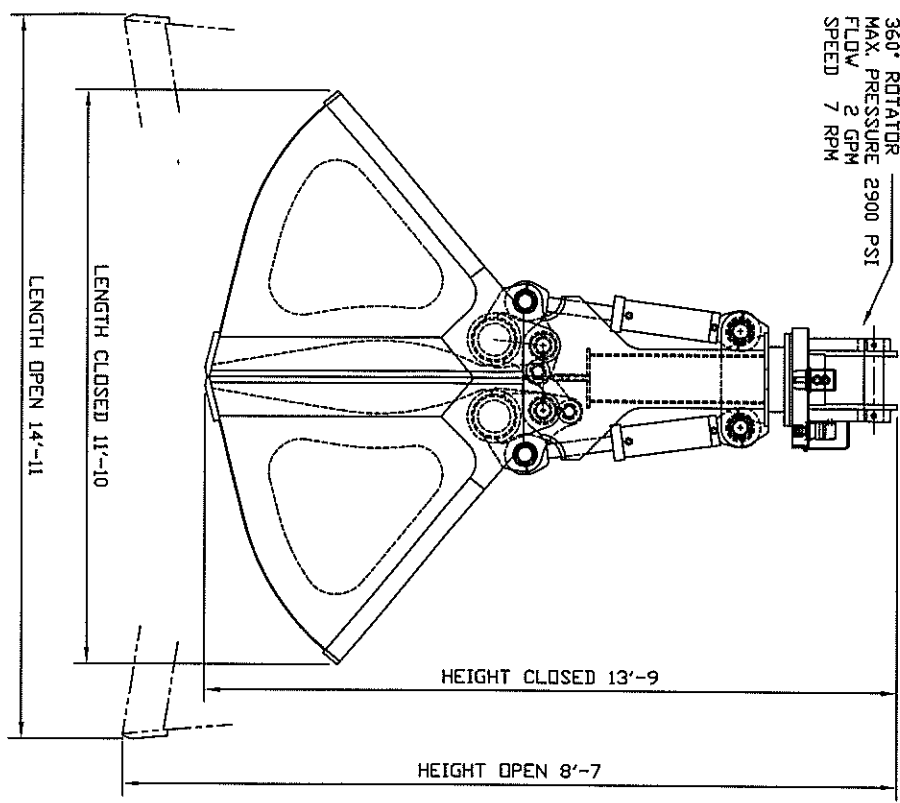


360° ROTATOR
 MAX. PRESSURE 2900 PSI
 FLOW 2 GPM
 SPEED 7 RPM



SPECIFICATIONS

HEAPED CAPACITY	131 CU. YD.
PLATE LINE	357.8 CU. FT.
WATER LEVEL	170.2 CU. FT.
DECK AREA	124.9 SQ. FT.
OPERATING PRESSURE	4060 PSI
FLOW	100 GPM
TIME TO CLOSE	5.1 SEC.
TIME TO OPEN	3.6 SEC.
WEIGHT	14300 LBS



ATLAS MANUFACTURING CO.

PROPOSAL DRAWING

131 CU YD, HYDRAULIC BUCKET

REV.	DATE	DESCRIPTION	DRAWN BY	DATE	SCALE	DRAWING NO.	REV.
			MC	11-1-07	NONE	P07-020M	
			APPR. BY				