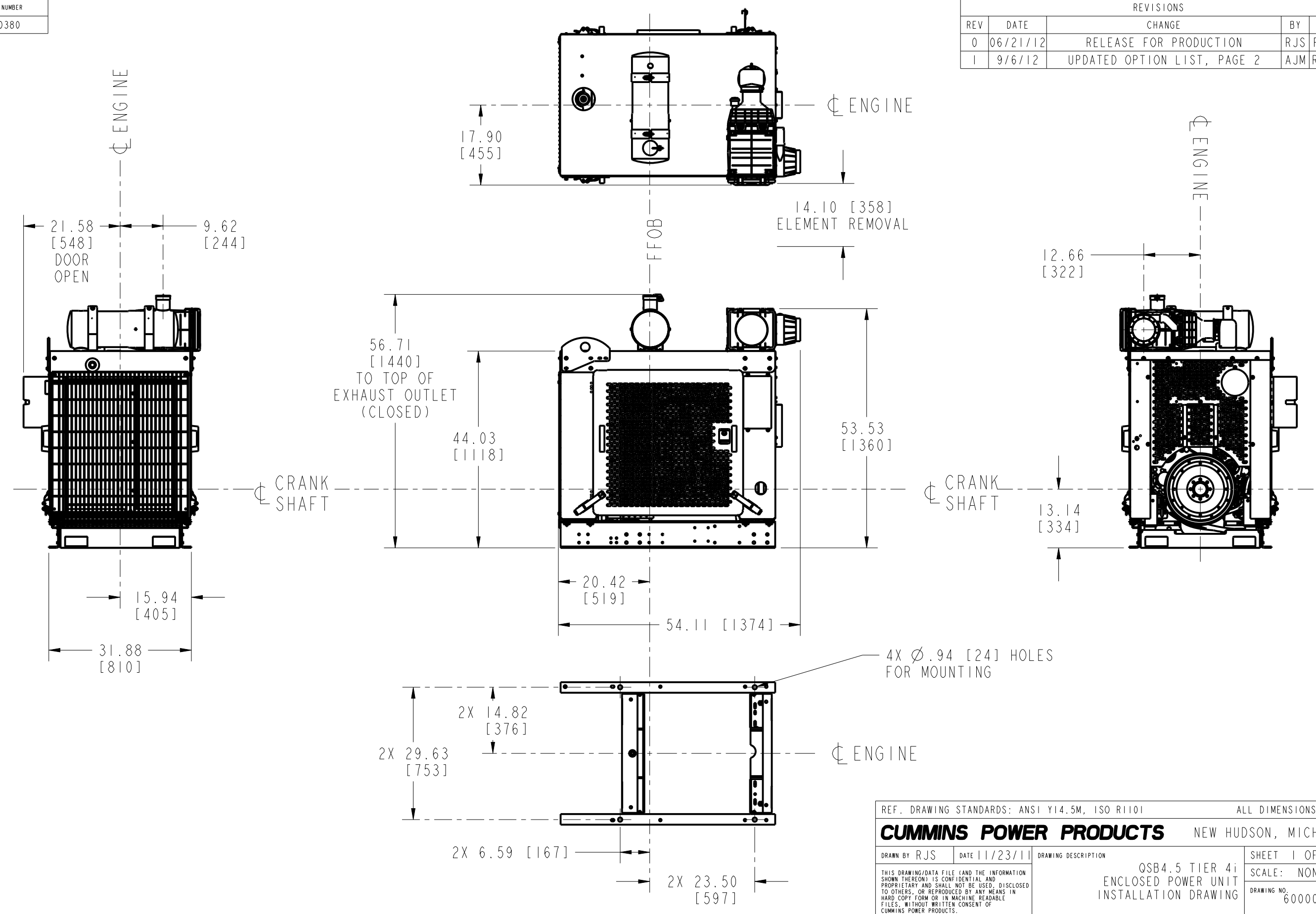


DRAWING NUMBER
60000380

REVISIONS				
REV	DATE	CHANGE	BY	ER#
0	06/21/12	RELEASE FOR PRODUCTION	RJS	R12317
1	9/6/12	UPDATED OPTION LIST, PAGE 2	AJM	R12428



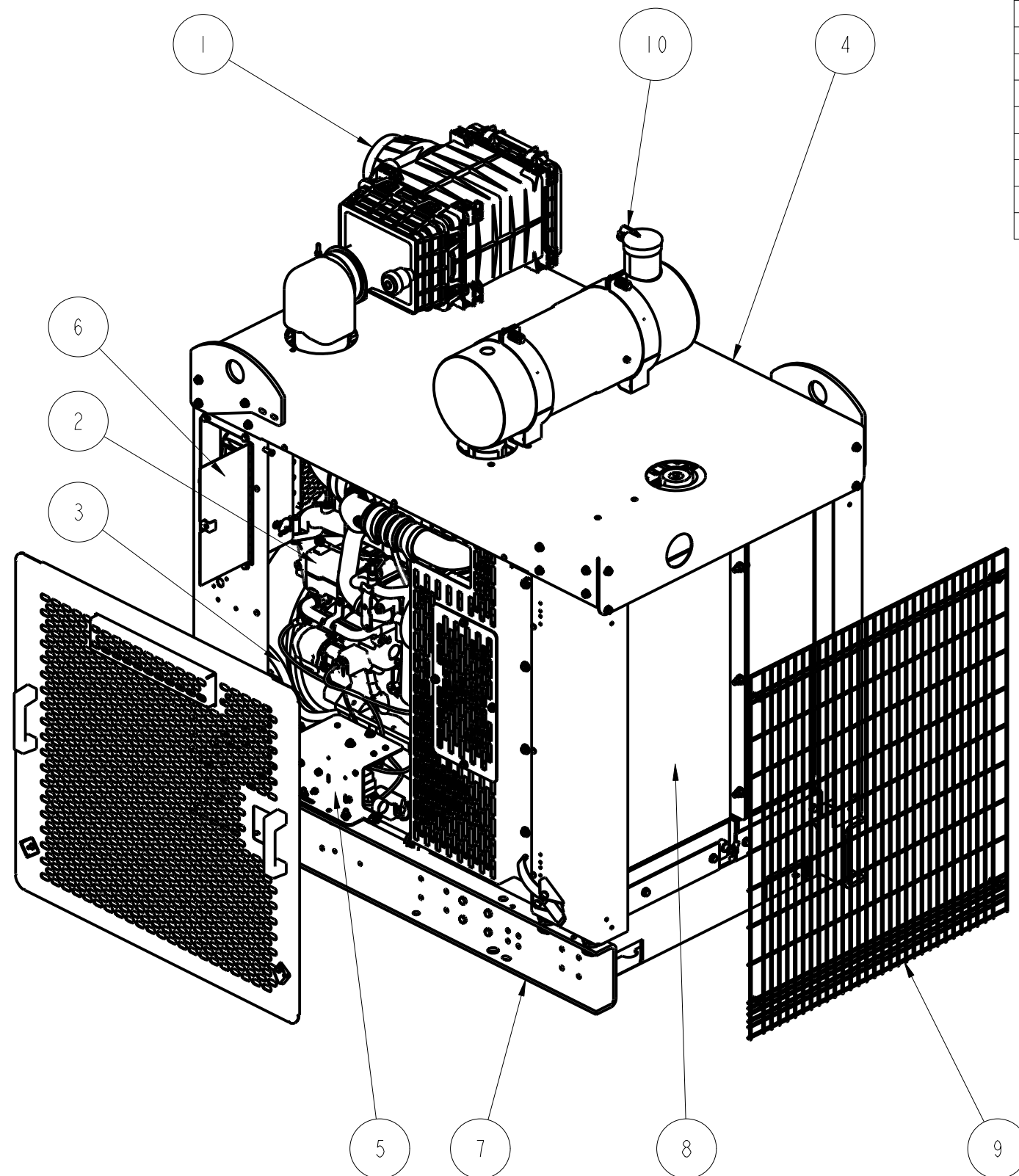
REF. DRAWING STANDARDS: ANSI Y14.5M, ISO R1101 ALL DIMENSIONS: INCH

CUMMINS POWER PRODUCTS NEW HUDSON, MICHIGAN

DRAWN BY RJS	DATE 11/23/11	DRAWING DESCRIPTION	SHEET 1 OF 3
THIS DRAWING/DATA FILE (AND THE INFORMATION SHOWN THEREON) IS CONFIDENTIAL AND PROPRIETARY AND SHALL NOT BE USED, DISCLOSED TO OTHERS, OR REPRODUCED BY ANY MEANS IN HARD COPY FORM OR IN MACHINE READABLE FILES, WITHOUT WRITTEN CONSENT OF CUMMINS POWER PRODUCTS.		QSB4.5 TIER 4i ENCLOSED POWER UNIT INSTALLATION DRAWING	SCALE: NONE
			DRAWING NO. 60000380

DRAWING NUMBER

60000380



ITEM	QTY.	PART NO.	DESCRIPTION
1	1	AA11355	AAPUI0273 (AA11355) - AIR CLEANER, DIRECT FLOW, TOP MOUNT
2	1	D323011CX03	BASE ENGINE - QSB4.5 TIER 4i
3	1	EA11078	EAPUI0052 (EA11078) - ENGINE ACCESSORIES, TIER 4I, 12V OR 24V
4	1	EN11258	ELPUI0180 (EN11258) - ENCLOSURE, FULL
5	1	GE11212	GEPUI0155 (GE11212) - ELECTRICAL SYSTEM W/GRIDHEAT, 12V
6	1	IN11364	INPUI0266 (IN11364) - INSTRUMENT ASSEMBLY, 12V OR 24V, POWERVIEW T4i
7	1	MM11211	MMPUI0170 (MM11211) - BASE RAILS, PEDISTAL, W/O ISOLATION, SAE#3
8	1	RA11504	RAPUI0323 (RA11504) - COOLING SYSTEM, 125 LAT, PULLER FAN
9	1	SG11009	SGPUI0009 (SG11009) - STONE GUARD, ENCLOSED
10	1	XH11213	XHPUI0151 (XH11213) AFTERTREATMENT, CCC, TOP MOUNT

DE, EC AND PP OPTIONS ARE NOT SHOWN

NOTES:

- THIS ENGINE MUST USE LOW ASH CJ-4 OIL THAT MEETS (CUMMINS ENGINEERING STANDARD) CES 20081.
- THIS ENGINE MUST USE ULTRA LOW SULFUR DIESEL FUEL (SEE CUMMINS SERVICE BULLETIN 3379001).
- LUBE FILTER (LF OPTION) AND FUEL FILTER (FF OPTION) ARE TO BE CHANGED EVERY 500 HOURS OR 6 MONTHS.
- FUEL INLET (FI OPTION): .39" [10 mm] PUSH ON HOSE-SINGLE BEAD
- FUEL DRAIN (DL OPTION): .39" [10 mm] PUSH ON HOSE-SINGLE BEAD
- REAR ATTACHMENT INFO:
 FH9481: SAE#3, M10 X 1.5-6H, TAP 1.2" [30 mm] DEEP MIN, 12 HOLES EQUALLY SPACED ON A \varnothing 16.87" [\varnothing 428.6 mm] B.C.
 FW9857: SAE#3, 3/8-16 UNC-2B, TAP .8" [20 mm] DEEP MIN, 8 HOLES EQUALLY SPACED ON A \varnothing 13.13" [\varnothing 333.4 mm] B.C.
- DUE TO MANUFACTURING VARIANCES, DIMENSIONS MAY VARY UP TO .25" FROM NOMINAL.

REF. DRAWING STANDARDS: ANSI Y14.5M, ISO R1101

ALL DIMENSIONS: INCH

CUMMINS POWER PRODUCTS

NEW HUDSON, MICHIGAN

DRAWN BY: RJS

DATE: 11/23/11

DRAWING DESCRIPTION

SHEET 2 OF 3

THIS DRAWING/DATA FILE (AND THE INFORMATION SHOWN THEREON) IS CONFIDENTIAL AND PROPRIETARY AND SHALL NOT BE USED, DISCLOSED TO OTHERS, OR REPRODUCED BY ANY MEANS IN HARD COPY FORM OR IN MACHINE READABLE FILES, WITHOUT WRITTEN CONSENT OF CUMMINS POWER PRODUCTS.

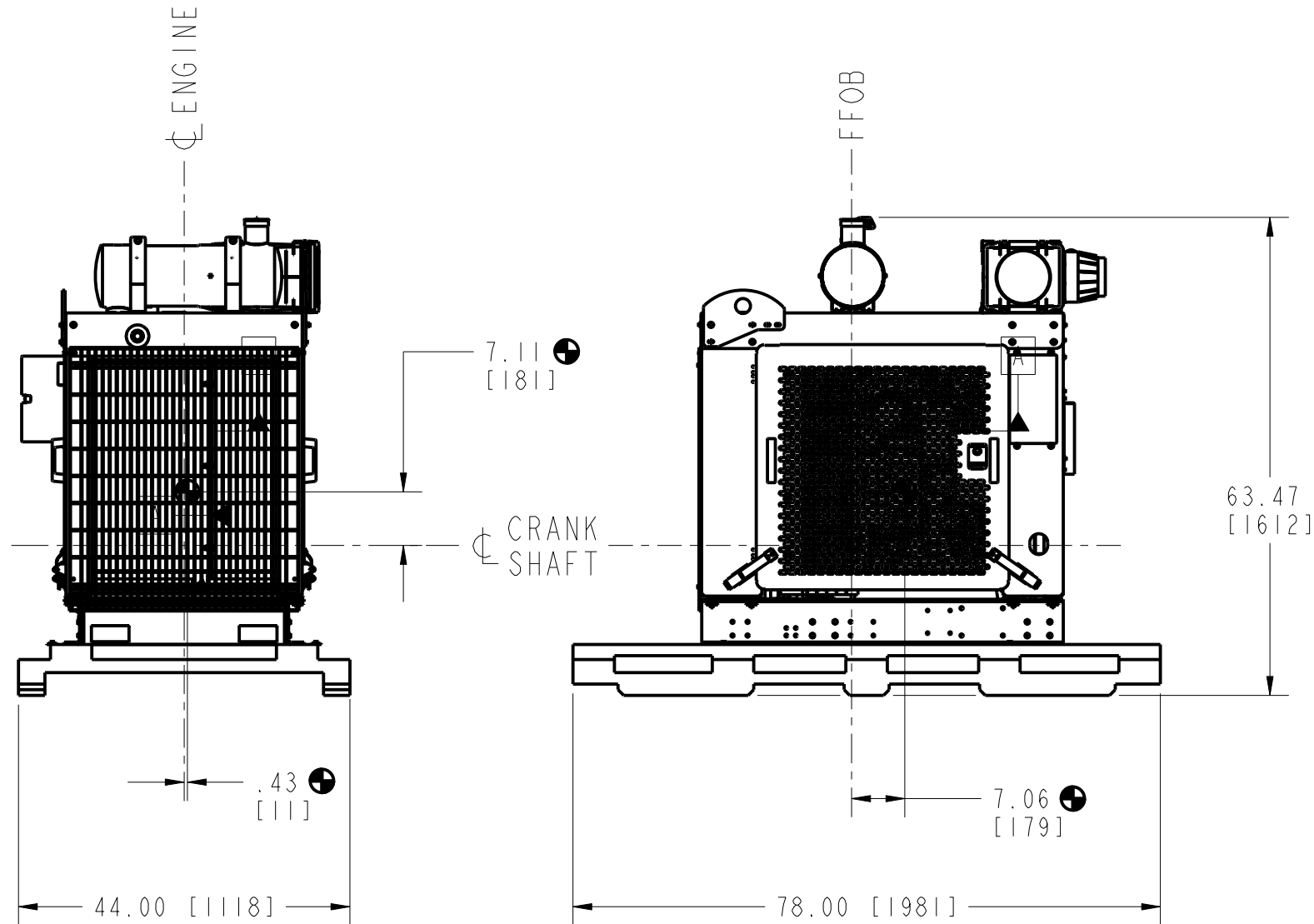
QSB4.5 TIER 4i
ENCLOSED POWER UNIT
INSTALLATION DRAWING

SCALE: NONE

DRAWING NO. 60000380

DRAWING NUMBER

60000380



⊕ POWER UNIT CENTER OF GRAVITY INFORMATION:

APPROXIMATE TOTAL POWER UNIT WEIGHT (WET):
1575 lbs [714 kg] ± 10%

C_oG DIMENSIONS ARE ESTIMATED BASED ON OPTIONS SHOWN AND MAY VARY UP TO 1.00" [25.4 mm] DEPENDING ON SPECIFIC ENGINE AND POWER UNIT OPTIONS INCLUDED IN POWER UNIT SPEC.

C_oG DIMENSIONS AND WEIGHT CALCULATIONS ARE FOR POWER UNIT OPTIONS ONLY. ANY REAR PTO OR ADDITIONAL DRIVES WILL AFFECT CALCULATIONS. THIS WEIGHT DOES NOT INCLUDE THE SHIPPING SKID SHOWN.

LIFTING HOLES ARE TO BE USED TO LIFT ONLY THE POWER UNIT. REFERENCE OPERATIONS MANUAL FOR LIFTING INSTRUCTIONS.

POWER UNIT SHIPPING INFORMATION:

APPROXIMATE TOTAL POWER UNIT SHIPPING WEIGHT:
1675 lbs [760 kg] ± 10%

WEIGHT IS BASE ON OPTIONS SHOWN, INCLUDING SHIPPING SKID AND MAY VARY DEPENDING ON SPECIFIC OPTIONS INCLUDED IN POWER UNIT SPEC.

OVERALL SHIPPING DIMENSIONS ARE DETAILED ON THIS SHEET AND MAY VARY DEPENDING ON OPTIONS CONTAINED WITHIN POWER UNIT SPEC.

REF. DRAWING STANDARDS: ANSI Y14.5M, ISO R1101		ALL DIMENSIONS: INCH	
CUMMINS POWER PRODUCTS		NEW HUDSON, MICHIGAN	
DRAWN BY: RJS	DATE: 11/23/11	DRAWING DESCRIPTION	SHEET 3 OF 3
THIS DRAWING/DATA FILE (AND THE INFORMATION SHOWN THEREON) IS CONFIDENTIAL AND PROPRIETARY AND SHALL NOT BE USED, DISCLOSED TO OTHERS, OR REPRODUCED BY ANY MEANS IN HARD COPY FORM OR IN MACHINE READABLE FILES, WITHOUT WRITTEN CONSENT OF CUMMINS POWER PRODUCTS.		QSB4.5 TIER 4i	SCALE: NONE
		ENCLOSED POWER UNIT INSTALLATION DRAWING	DRAWING NO. 60000380