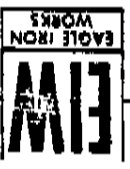
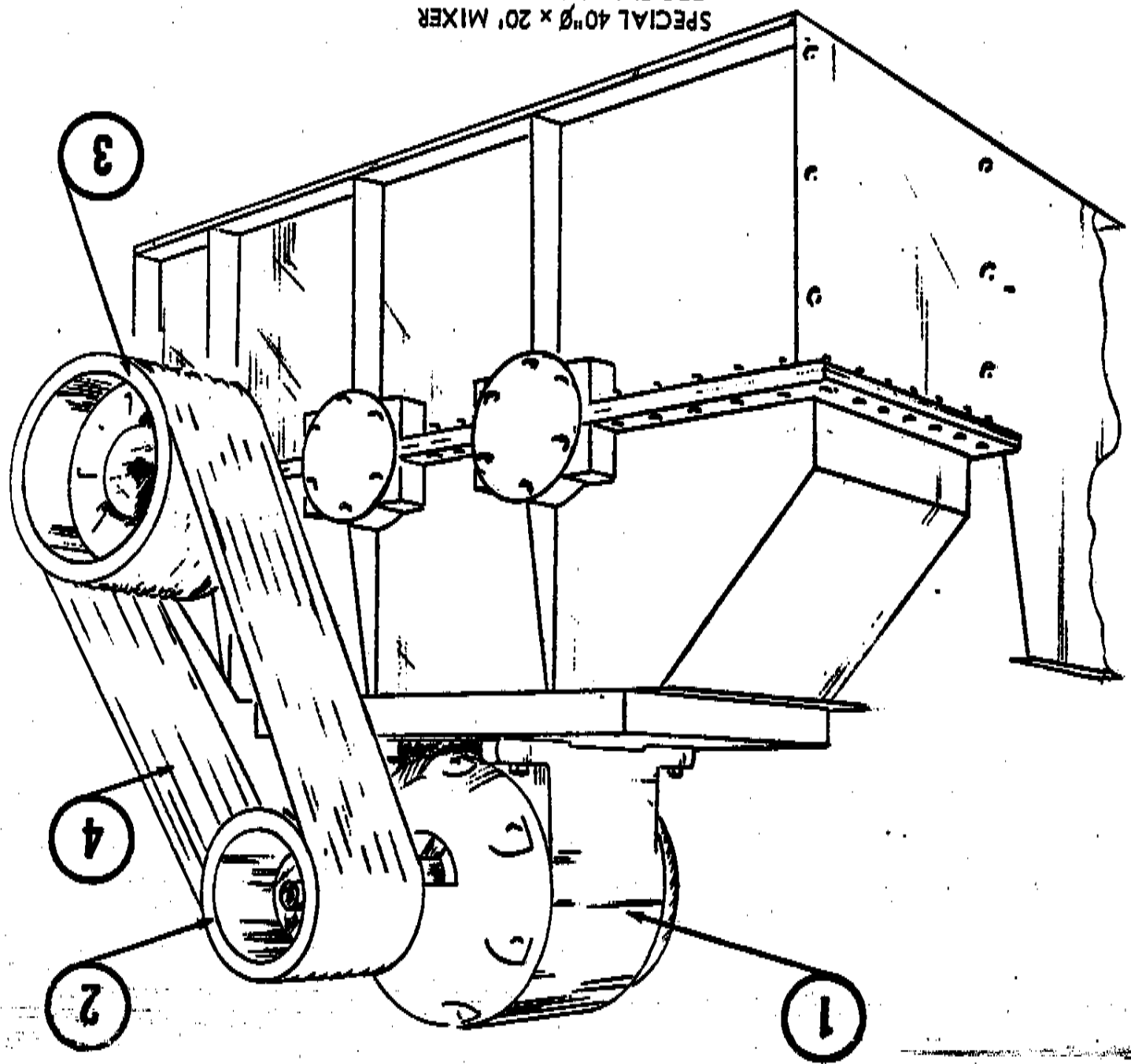


ALWAYS INCLUDE SERIAL NUMBER WHEN ORDERING PARTS-

| Ref. No. | Part No. | Description | Qty. | Wt. Ea. |
|----------|----------|------------------------------|------|---------|
| 4 | | V-Belts C128 | 10 | 2.3 |
| 3 | | Driven Sheave 16.0 p.d. | 1 | 160 |
| 2 | | Drive Sheave 10.0 p.d. | 1 | 93 |
| 1 | | Motor 150 h.p. 1800 RPM TEFC | 1 | 1785 |

SPECIAL 40"Ø x 20' MIXER
FOR STANDARD 44.6 RPM

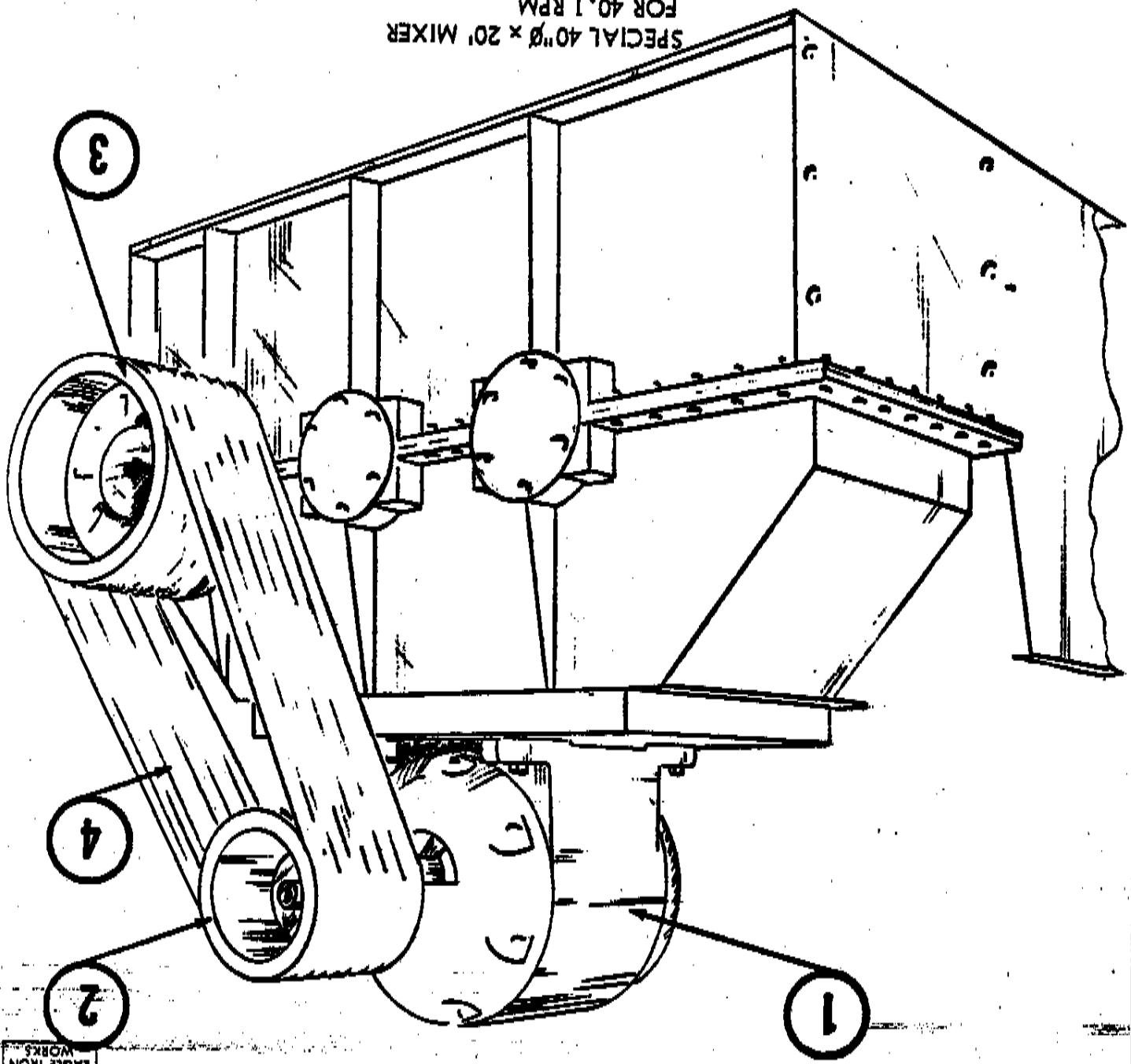


MANUFACTURERS OF QUALITY EQUIPMENT

ALWAYS INCLUDE SERIAL NUMBER WHEN ORDERING PARTS

| Ref. No. | Part No. | Description | Qty. | Wt. Ea. |
|----------|----------|------------------------------|------|---------|
| 1 | | Motor 150 h.p. 1800 RPM TEFC | 1 | 1785 |
| 2 | | Drive Sheave 9.0 p.d. | 1 | 75 |
| 3 | | Driven Sheave 16.0 p.d. | 1 | 160 |
| 4 | | V-Belts C128 | 10 | 2.3 |

SPECIAL 40"Ø x 20' MIXER
FOR 40.1 RPM
(90% STANDARD)



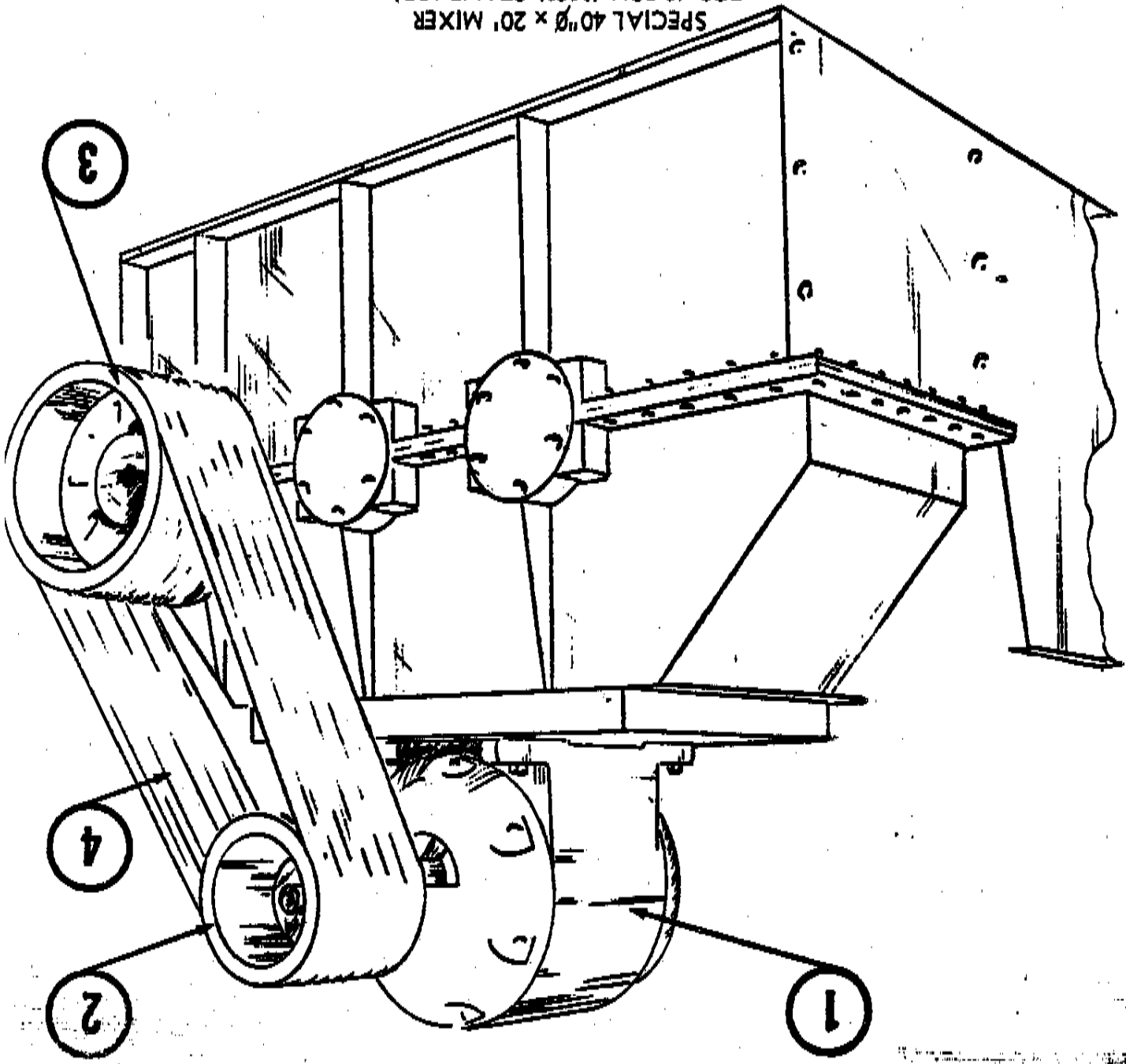
EAGLE IRON WORKS
MANUFACTURERS OF QUALITY EQUIPMENT



ALWAYS INCLUDE SERIAL NUMBER WHEN ORDERING PARTS

| Ref. No. | Part No. | Description | Qty. | Wt. Ea. |
|----------|----------|------------------------------|------|---------|
| 1 | | Motor TEFC 150 h.p. 1800 RPM | 1 | 1785 |
| 2 | | Drive Sheave 11.0 p.d. | 1 | 115 |
| 3 | | Driven Sheave 16.0 p.d. | 1 | 160 |
| 4 | | V-Belts C128 | 10 | 2.3 |

SPECIAL 40"Ø x 20' MIXER
FOR 49 RPM (110% STANDARD)



EAGLE IRON WORKS
MANUFACTURERS OF QUALITY EQUIPMENT

