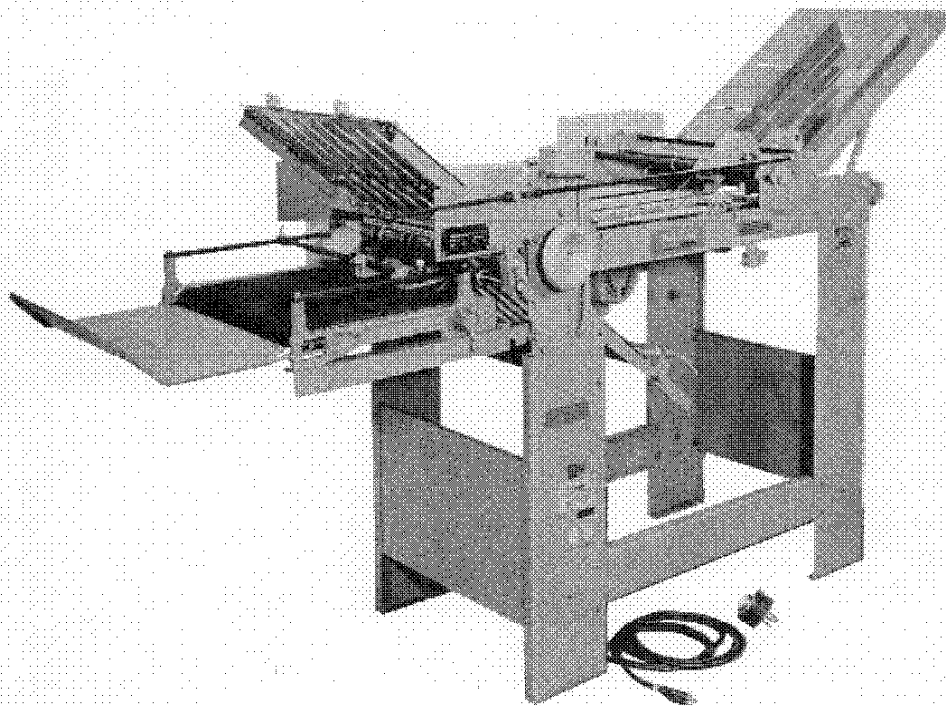


PARTS CATALOG

Baumfolder®

Model 417



B **BAUMFOLDER**
CORPORATION
1660 Campbell Rd.
P.O. Box 728
Sidney, Ohio 45365
513/492-1281

TABLE OF CONTENTS

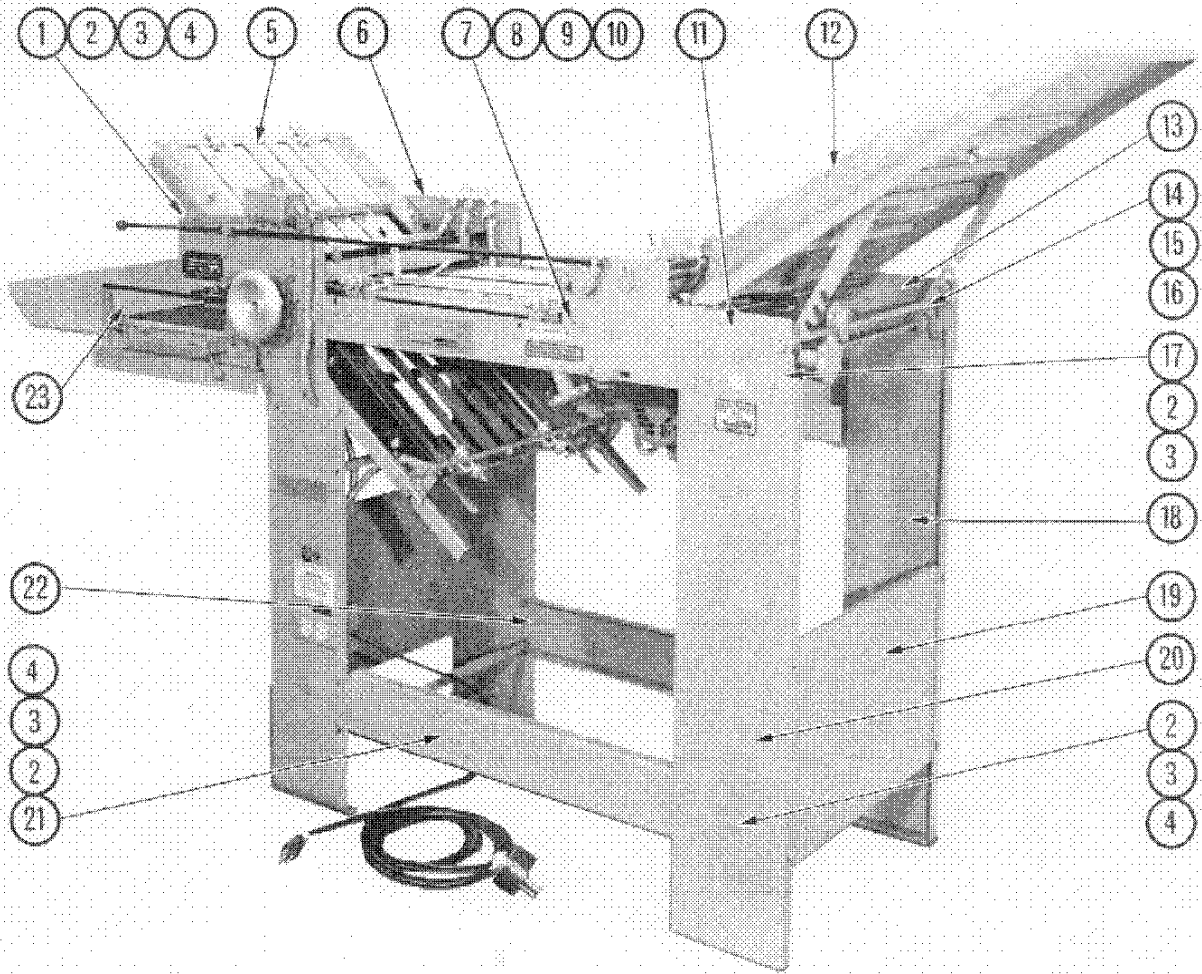
BAUMFOLDER

417 FRICTION FEED

| Description | Page No. |
|---|-----------------|
| Friction Feed & Parallel Frames..... | 1 |
| Guards & Miscellaneous Parts..... | 2 |
| Electrical Controls, Control Rod & Hand Wheel..... | 3 |
| Feeder Drive System..... | 4 |
| Feeder Accessories..... | 5 |
| Feed Wheel Shaft Assembly..... | 6 |
| Speed Adjusting Shaft Assembly & Motor Control..... | 7 |
| Feed Table..... | 8 |
| Slitter Shaft & Retarder Roll Assembly..... | 9 |
| #1 Fold Pan Assembly..... | 10 |
| #2 Fold Pan Assembly..... | 11 |
| Lower Pan Support, RH..... | 12 |
| Lower Pan Support, LH..... | 13 |
| Parallel Inside Frame, RH & Upper Pan Support..... | 14 |
| Parallel Inside Frame, LH & Upper Pan Support..... | 15 |
| Roll Boxings..... | 16 |
| Tape Tighteners..... | 17 |
| Register Table..... | 18 |
| Motor & Mounts..... | 20 |
| Receptacle Enclosure & Nip Guards..... | 21 |
| Stacker Assembly..... | 22 |
| Parallel Drive System..... | 24 |
| Parallel Accessories..... | 25 |
| Wiring Diagram - Schematic..... | 26 |

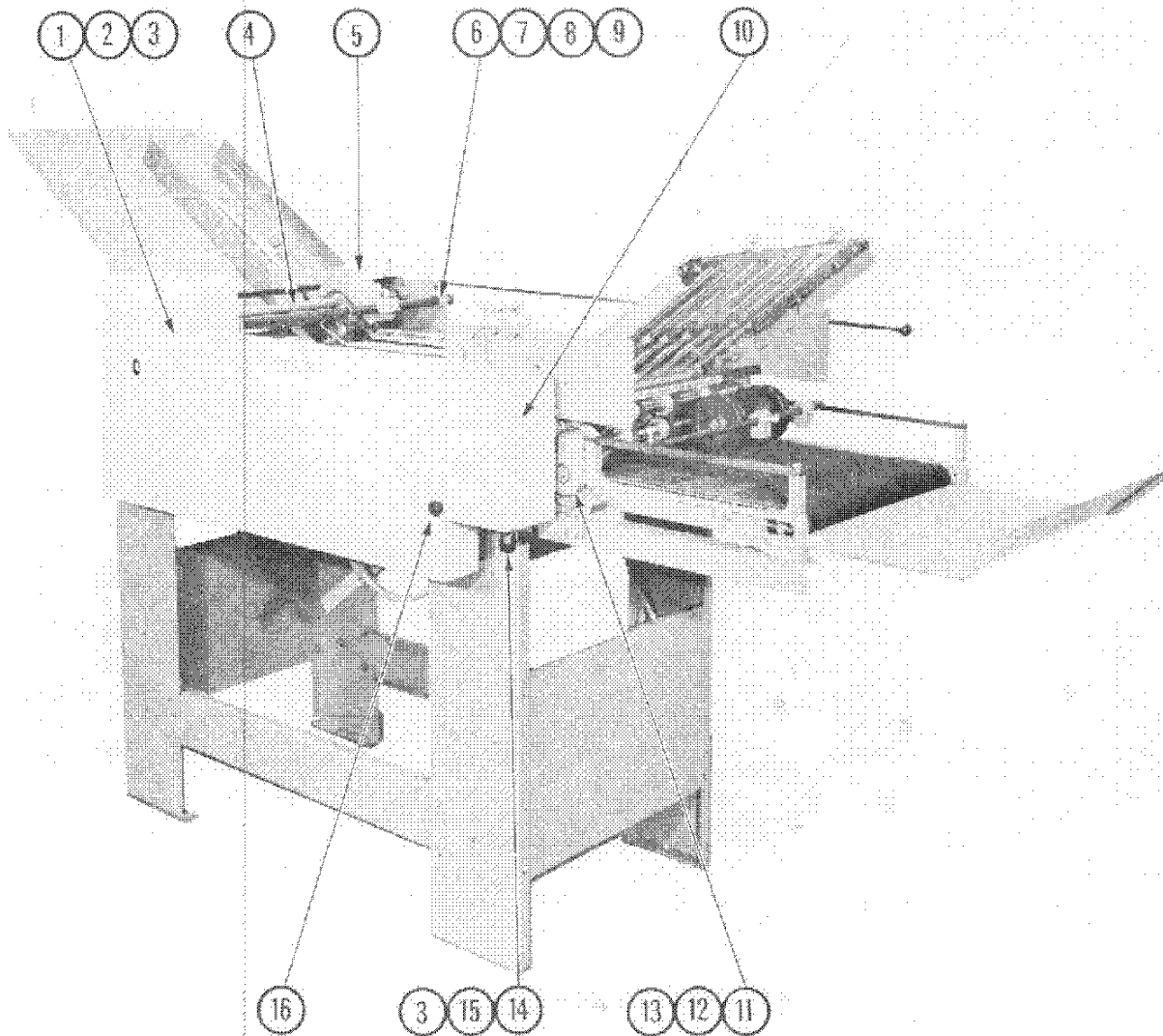
INCLUDE MACHINE MODEL AND SERIAL NUMBER WHEN ORDERING PARTS

© Baumfolder Corp., 1981
All rights reserved



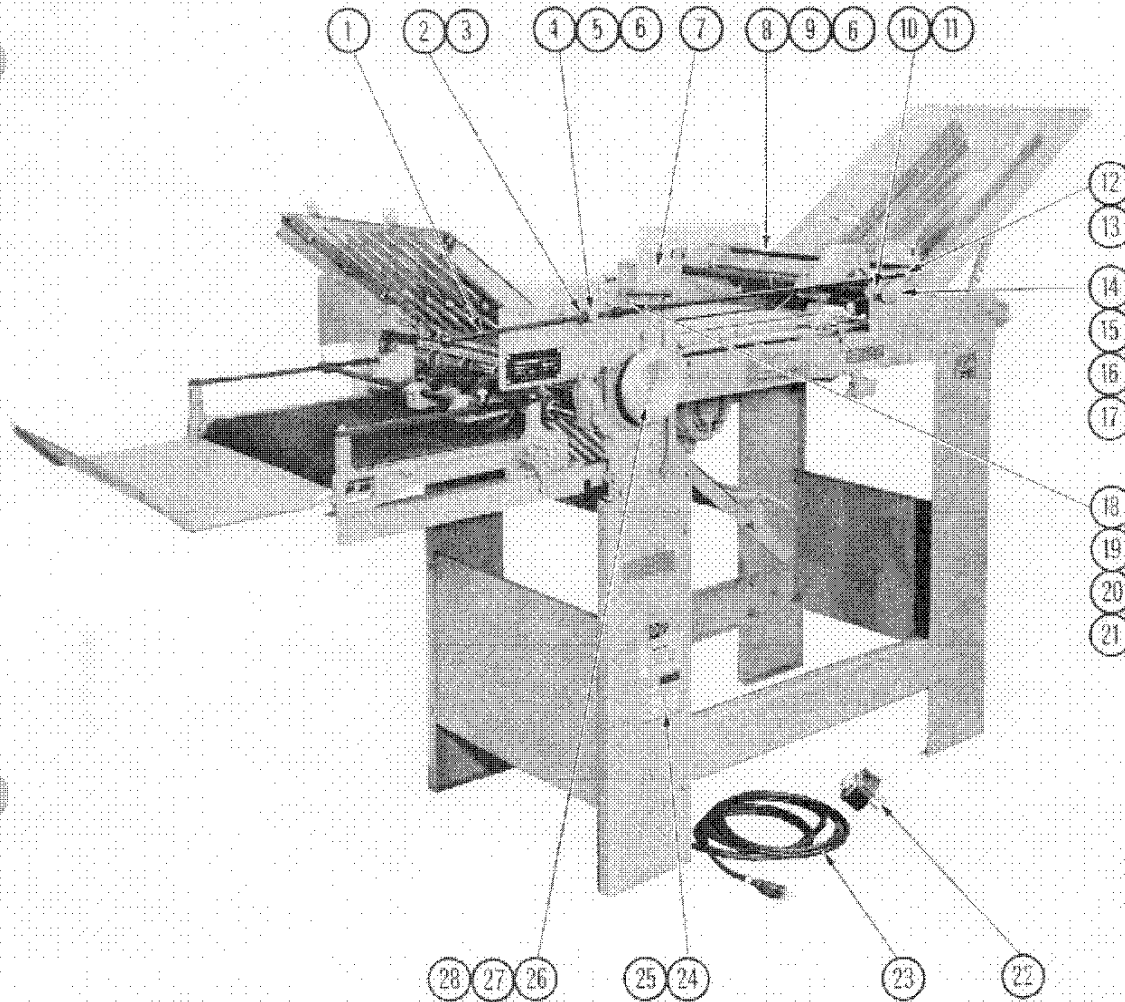
417 FRICTION FEED & PARALLEL FRAMES

| ITEM NO. | DESCRIPTION | PART NUMBERS 417 | ITEM NO. | DESCRIPTION | PART NUMBERS 417 |
|----------|-------------------------------------|------------------|----------|--------------------------------------|------------------|
| — | Assembly - Frame | 37622 | 13. | Frame - Feeder, RH | 15308 |
| 1. | Frame - Parallel, LH | 14757 | 14. | Rod - Feed Table Adjusting | 13909 |
| 2. | Screw - Hex Hd Cap, 5/16 - 18 x 3/4 | 20922 | 15. | Collar | 06358 |
| 3. | Washer - Lock, 5/16 | 20483 | 16. | Screw - Socket Set 1/4 - 20 x 1/4 | 20454 |
| 4. | Nut - Hex Jam, 5/16 - 18 | 20615 | 17. | Rail - Register Outside, LH | 28654 |
| 5. | Assembly - #1 Fold Pan (See Pg. 10) | 15408 | — | Rail - Register Outside, RH | 28653 |
| 6. | Frame - Parallel, RH | 14755 | 18. | Frame - Sub, RH | 14872 |
| 7. | Clamp - Feeder (NS) | 15628 | 19. | Frame - End | 14694 |
| 8. | Screw - Hex Hd Cap, 1/4 - 20 x 5/8 | 20004 | 20. | Frame - Sub, LH | 14870 |
| 9. | Washer - Lock, 1/4 | 20480 | 21. | Bar - Lower, LH | 28652 |
| 10. | Nut - Hex Jam, 1/4 - 20 | 20614 | 22. | Bar - Lower, RH | 28651 |
| 11. | Frame - Feeder, LH | 15309 | 23. | Assembly - Slacker (See Pg. 22 & 23) | 19479 |
| 12. | Assembly - Feed Table (See Pg. 8) | 11688 | | | |



417 GUARDS & MISCELLANEOUS PARTS

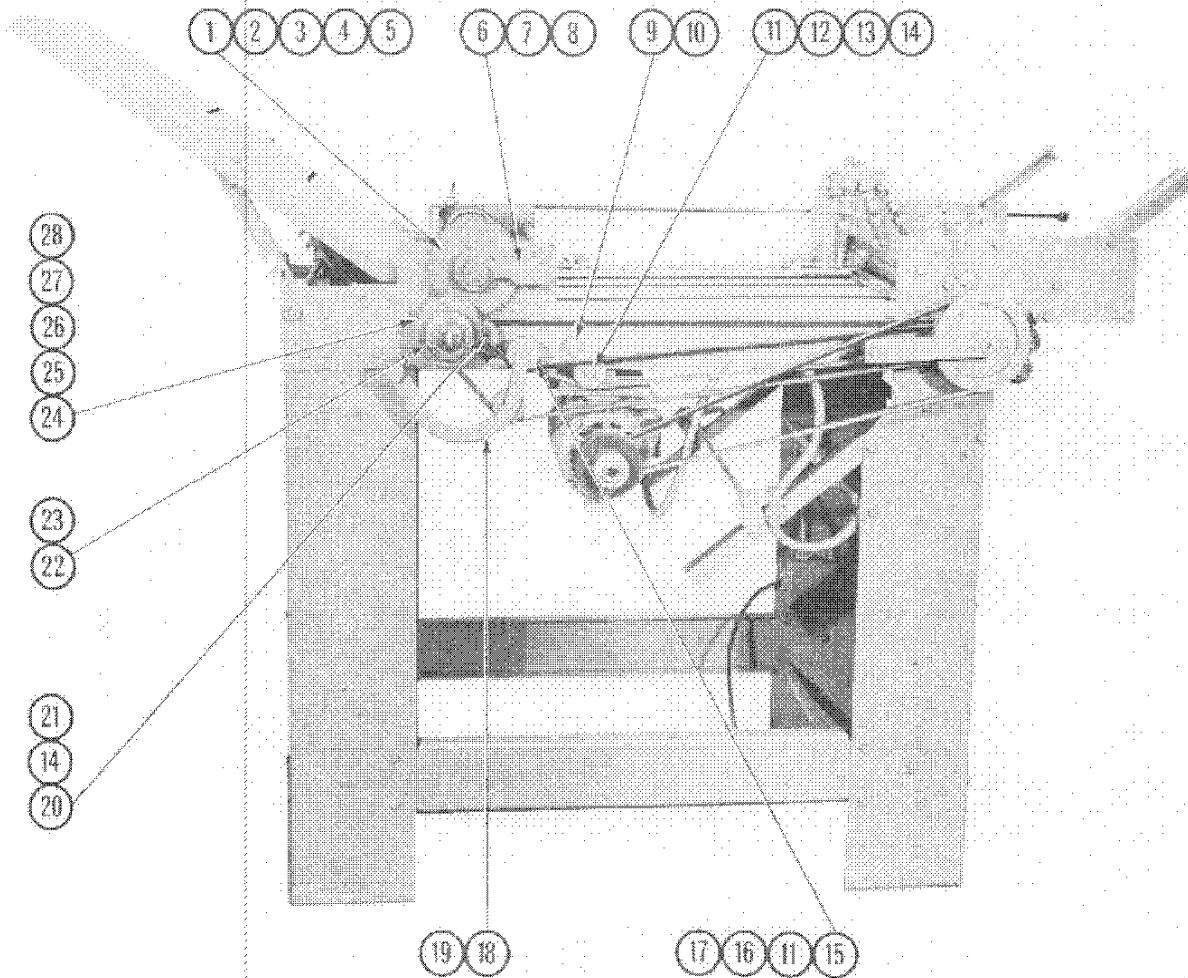
| ITEM NO. | DESCRIPTION | PART NUMBERS 417 | ITEM NO. | DESCRIPTION | PART NUMBERS 417 |
|----------|---|------------------|----------|--------------------------------------|------------------|
| 1. | Guard - Belt | 39402 | 9. | Screw - Socket Set, 5/16 - 18 x 5/16 | 20463 |
| 2. | Screw - Rd Hd Mach, 1/4 - 20 x 3/8 | 20212 | 10. | Guard - Hinged | 39403 |
| 3. | Washer - Lock, 1/4 | 20481 | 11. | Guard - Stacker Gear | 14895 |
| 4. | Assembly - Feed Wheel Shaft (See Pg. 8) | 37610 | 12. | Screw - Rd Hd Mach, 10 - 24 x 5/8 | 20197 |
| 5. | Guard - Feed Wheel | 15235 | 13. | Washer - Lock, 10 | 20480 |
| 6. | Assembly - Shaft Drop Roll | 37614 | 14. | Knob - Knurled Plastic | 23888 |
| 7. | Shaft - Drop Roll | 11873 | 15. | Screw - Hex Hd Cap, 1/4 - 20 x 3/8 | 20151 |
| 8. | Bushing | 20962 | 16. | Handle - Plastic | 22410 |



417 CONTROL ROD, HANDWHEEL & ELECTRICAL CONTROLS

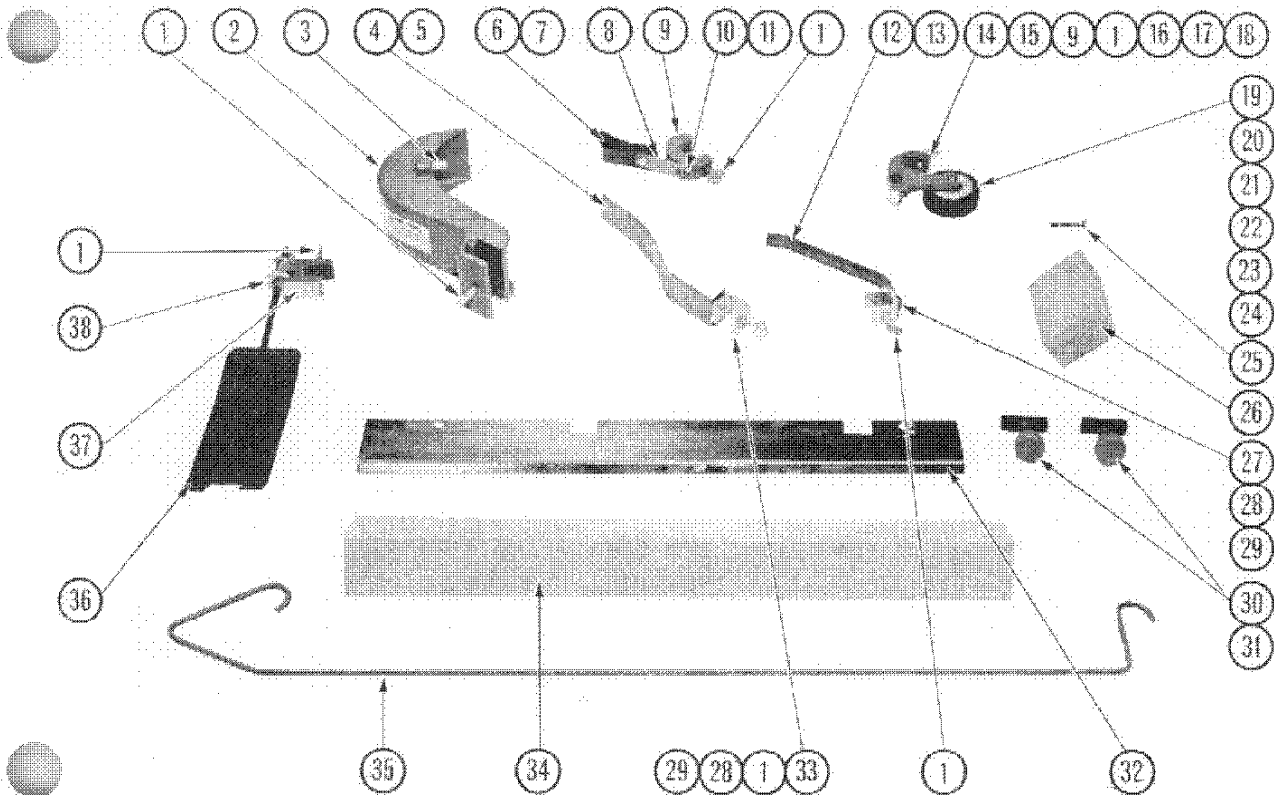
| ITEM NO. | DESCRIPTION | PART NUMBERS 417 | ITEM NO. | DESCRIPTION | PART NUMBERS 417 |
|----------|---|---------------------|----------|--------------------------------------|---------------------|
| 1. | Rod - Control | 13680 | 15. | Stud - Clutch Shifter | 11608 |
| 2. | Collar - 3/8 | 06729 | 16. | Nut - Hex Jam, 3/8 - 16 | 20616 |
| 3. | Screw - Hd Hd Cup Pt Set, 1/4 - 20 x 3/16 | 21719 | 17. | Washer - Lock, 3/8 | 20486 |
| 4. | Bracket - Control Rod | 13679 | 18. | Bracket | 27215 |
| 5. | Screw - Hex Hd Cap, 5/16 - 18 x 1/2 | 20020 | 19. | Screw - Rd Hd, 8 - 32 x 3/8 | 22134 |
| 6. | Washer - Lock, 5/16 | 20483 | 20. | Washer - 8 | 23083 |
| 7. | Switch | 21155 | 21. | Nut - Hex, 8 - 32 | 22135 |
| 8. | Bar - Tie | 13494 | 22. | Plug | 23999 |
| 9. | Screw - Hex Hd Cap, 5/16 - 18 x 7/8 | 20023 | 23. | Cord | 21857 |
| 10. | Spool - Clutch Shifter | 11601 | 24. | Cover | 21538 |
| 11. | Screw - Socket Set, 1/4 - 20 x 5/16 | 20455 | 25. | Receptacle | 23545 |
| 12. | Screw - Rd Hd Mach, 1/4 - 20 x 5/16 | 20221 | 26. | Handwheel | 09577 |
| 13. | Nut - Hex Jam, 1/4 - 20 | 20614 | 27. | Screw - Socket Set, 5/16 - 18 x 5/10 | 20463 |
| 14. | Cam - Clutch Shifter | 11628 | 28. | Spacer | 14910 |

INCLUDE MACHINE MODEL AND SERIAL NUMBER WHEN ORDERING PARTS



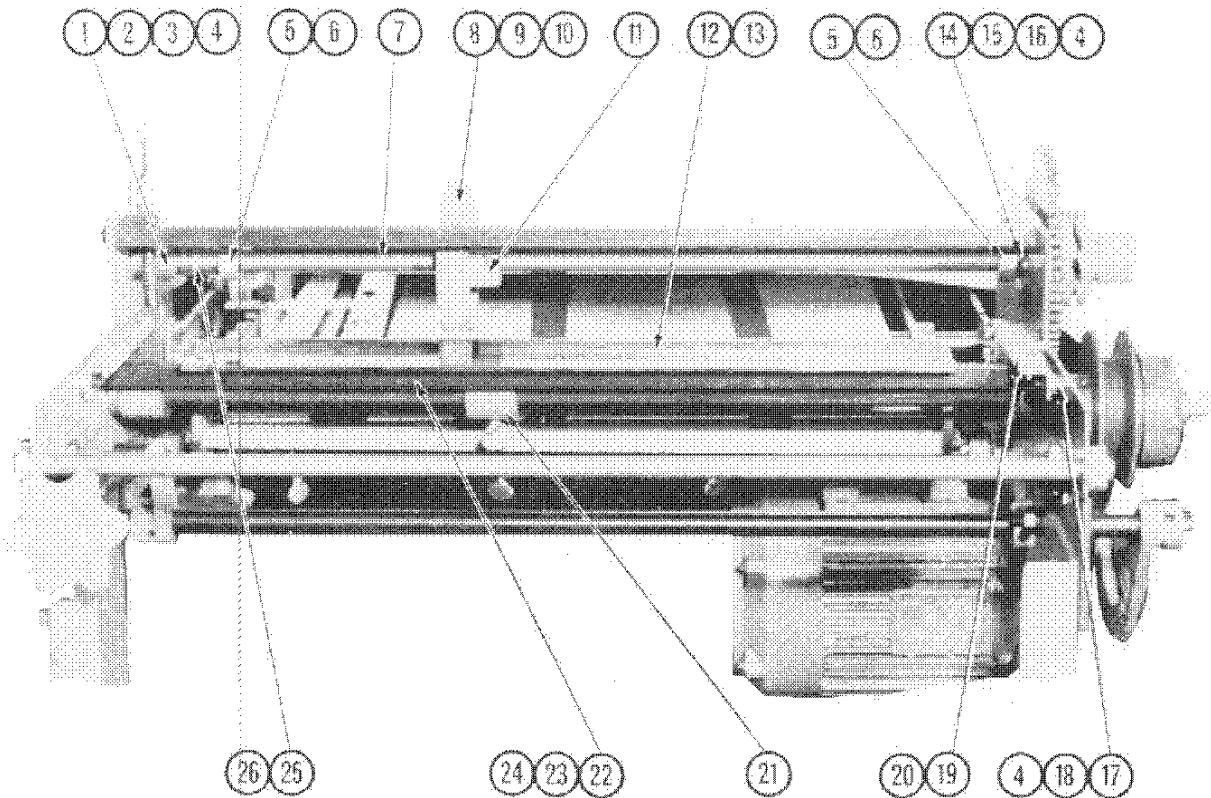
417 FEEDER DRIVE SYSTEM

| ITEM NO. | DESCRIPTION | PART NUMBERS 417 | ITEM NO. | DESCRIPTION | PART NUMBERS 417 |
|----------|-------------------------------------|------------------|----------|-------------------------------|------------------|
| 1. | Gear - Feed Wheel Clutch | 11641 | 15. | Stem - Idler Arm | 06545 |
| 2. | Ring - Retaining | 21325 | 16. | Bushing | 21027 |
| 3. | Key - Gear Box | 09637 | 17. | Pin - Taper | 20866 |
| 4. | Clutch - Feed Wheel | 11640 | 18. | Assembly - Idler Arm | 19212 |
| 5. | Bushing | 29892 | 19. | Arm - Idler | 06542 |
| 6. | Fork - Shifter | 11753 | 20. | Sheave - Register Drive | 28895 |
| 7. | Screw - Socket Set, 1/4 - 20 x 5/16 | 20455 | 21. | Key - Woodruff | 21137 |
| 8. | Shaft - Clutch Shifter | 11972 | 22. | Pulley - Vari Speed | 26000 |
| 9. | Assembly - Belt Tightener | 15431 | 23. | Sheave - Vari | 21751 |
| 10. | Arm - Belt Tightener | 13752 | 24. | Assembly - Sheave Gear & Stud | 37612 |
| 11. | Pulley | 06252 | 25. | Gear - Sheave, 24T | 26001 |
| 12. | Stud | 06357 | 26. | Bushing | 21625 |
| 13. | Bushing | 21626 | 27. | Stud - Sheave Gear | 26002 |
| 14. | Screw - Socket Set, 1/4 - 20 x 1/4 | 20454 | 28. | Ring - Retaining | 21081 |



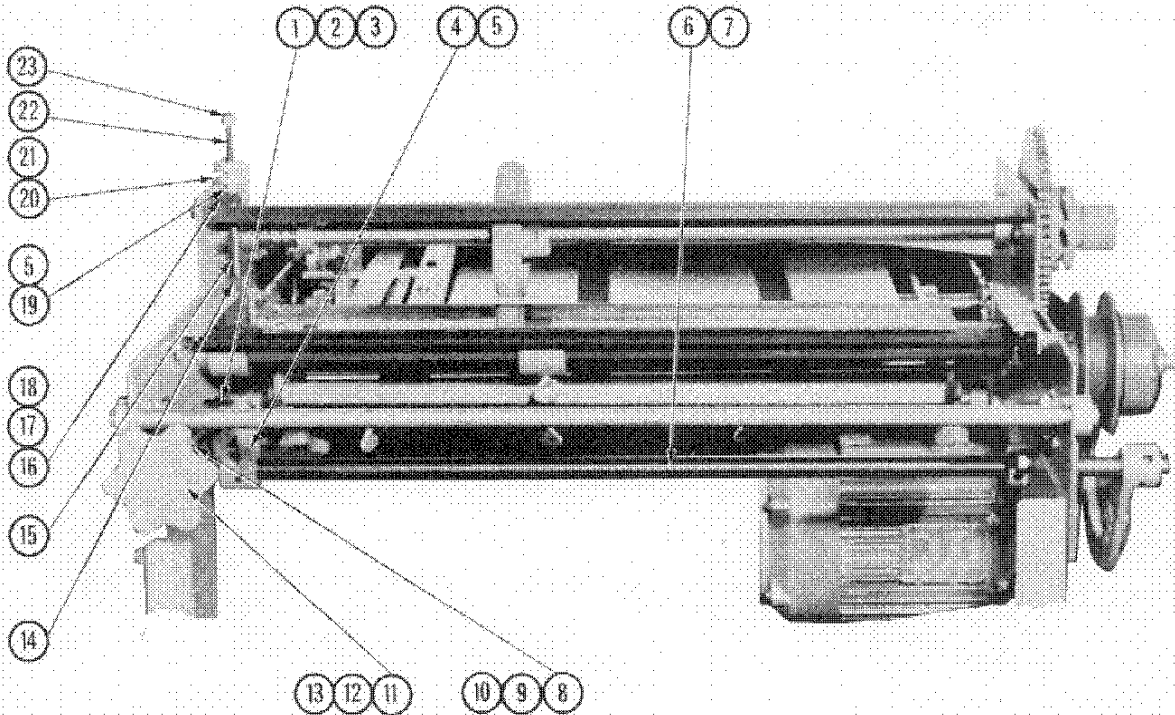
417 FEEDER ACCESSORIES

| ITEM NO. | DESCRIPTION | PART NUMBERS 417 | ITEM NO. | DESCRIPTION | PART NUMBERS 417 |
|----------|---------------------------------------|------------------|----------|------------------------------------|------------------|
| 1 | Screw-Thumb, 1/4 - 20 x 3/4 | 20537 | 20 | Roll - Draw | 06181 |
| 2 | Guard - Feed Wheel | 15235 | 21 | Tire - Draw Roll Band | 06182 |
| 3 | Stop - Guard | 26619 | 22 | Bushing - Draw Roll | 21026 |
| 4 | Assembly - Feed Table Extension Guide | 15447 | 23 | Stem - Draw Roll | 06007 |
| 5 | Guide - Feed Table Extension | 13716 | 24 | Screw - Socket Set, 10 - 24 x 1/4 | 20446 |
| 6 | Assembly - Wiper | 37615 | 25 | Screw - Rd Hd, 10 - 24 x 7/8 | 20199 |
| 7 | Wiper | 09050 | 26 | Guard - Parallel Slitter Box | 06501 |
| 8 | Arm - Felt Wiper | 09048 | 27 | Clamp - Stripper | 06439 |
| 9 | Clamp - Felt Wiper | 09047 | 28 | Washer - Plain, 1/4 | 20489 |
| 10 | Screw - Rd Hd Mach, 10 - 24 x 3/8 | 20194 | 29 | Screw - Rd Hd Mach, 1/4 - 20 x 1/4 | 20210 |
| 11 | Nut - Hex Jam, 10 - 24 | 20613 | 30 | Clamp - Block | 75113 |
| 12 | Assembly - Tuck-In | 15703 | 31 | Knob | 23364 |
| 13 | Tuck In | 13715 | 32 | Guard - Front Roll | 40788 |
| 14 | Arm - Pull Out Roll | 14013 | 33 | Clamp | 15446 |
| 15 | Block - Pull Out Roll | 14014 | 34 | Guard - Rear Roll | 40789 |
| 16 | Screw - Socket Set, 1/4 - 20 x 1/4 | 20454 | 35 | Sheet - Hold Down | 14660 |
| 17 | Screw - Hex Hd Cap, 1/4 - 20 x 1 | 20007 | 36 | Assembly - Feed Plate Fork | 11322 |
| 18 | Nut - Hex Jam, 1/4 - 20 | 20614 | 37 | Bracket - Feed Wheel Guide | 99382 |
| 19 | Assembly - Pull Out Roll | 14015 | 38 | Knob - Adjusting Screw | 99232 |



417 FEED WHEEL SHAFT ASSEMBLY

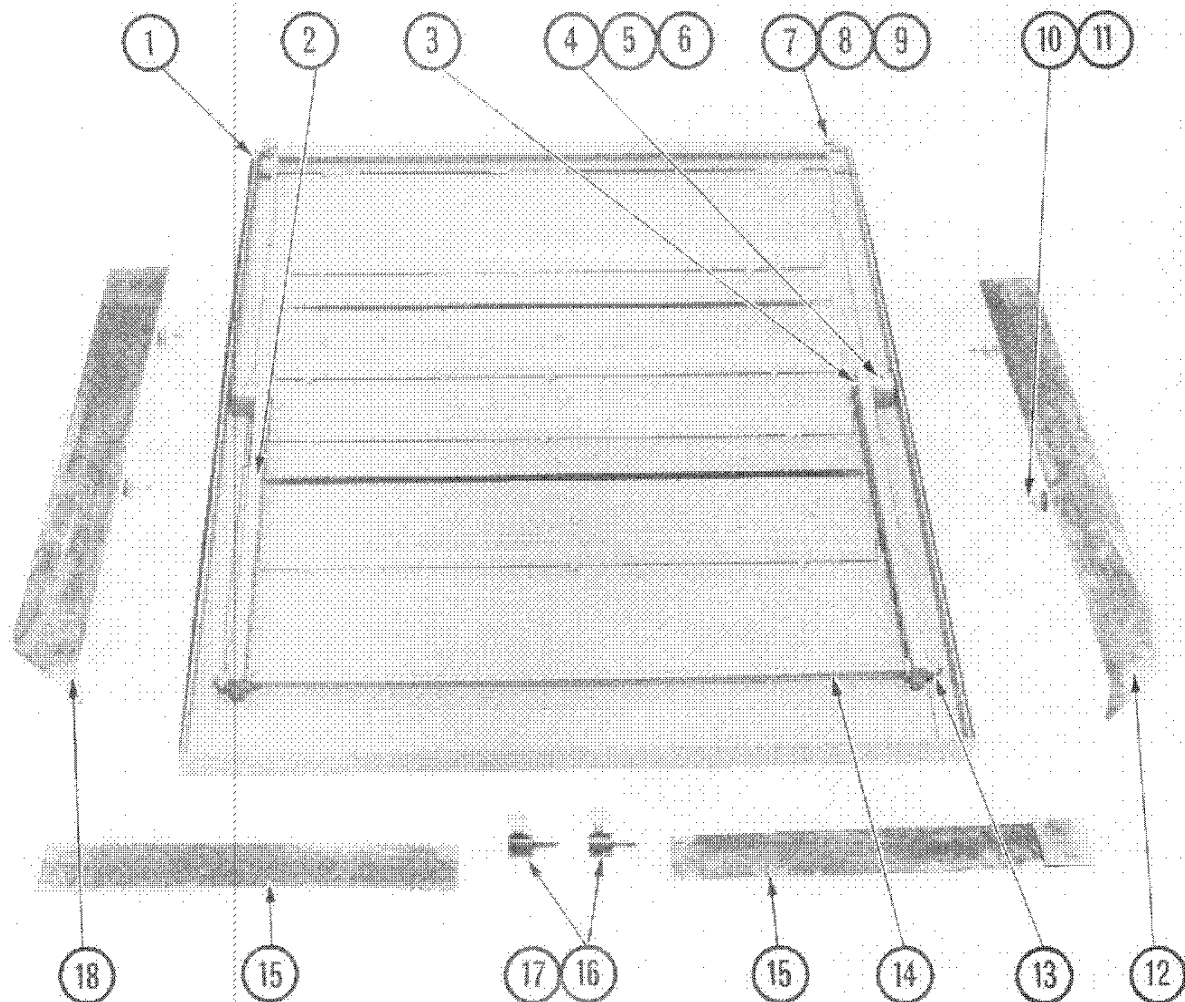
| ITEM NO. | DESCRIPTION | PART NUMBERS | ITEM NO. | DESCRIPTION | PART NUMBERS |
|----------|--|--------------|----------|--|--------------|
| — | Assembly - Feed Wheel Shaft | 37610 | 14. | Sleeve - Feed Wheel Shaft Bearing | 11642 |
| 1. | Bushing | 16243 | 15. | Bushing | 20982 |
| 2. | Spacer - Fold Plate | 13768 | 16. | Screw - Hex Hd Cap, 1/4 - 20 x 3 | 20212 |
| 3. | Screw - Button Hd Soc Op, 1/4 - 20 x 3/8 | 22644 | 17. | Spacer | 15350 |
| 4. | Washer - Lock, 1/4 | 20480 | 18. | Screw - Hex Hd Mach, 1/4 - 20 x 1/2 | 20003 |
| 5. | Collar | 06076 | 19. | Slide - Feed Table | 11305 |
| 6. | Screw - Soc Set, 5/16 - 18 x 5/16 | 20463 | 20. | Screw - Rd Hd Mach, 10 - 24 x 3/16 | 20191 |
| 7. | Shaft - Feed Wheel | 18053 | 21. | Assembly - Retarder Roll Shaft (See Pg. 8) | 37613 |
| 8. | Assembly - Feed Wheel Wide | 15433 | 22. | Bar - Guide Plate Rear | 13495 |
| 9. | Wheel - Paper Feed Wide | 06994 | 23. | Screw - Hex Hd Cap, 5/16 - 18 x 7/8 | 20023 |
| 10. | Tire - Feed Wheel | 13266 | 24. | Washer - Lock, 5/16 | 20483 |
| 11. | Screw - Soc Set, 5/16 - 18 x 5/16 | 20438 | 25. | Spring | 11975 |
| 12. | Plate - Sheet Guide Rear | 11327 | 26. | Washer - Flat, 3/4 x 1/16 | 20500 |
| 13. | Screw - Fl Hd Mach, 10 - 24 x 3/8 | 07728 | | | |



417 SPEED ADJUSTING SHAFT ASSEMBLY & MOTOR CONTROL

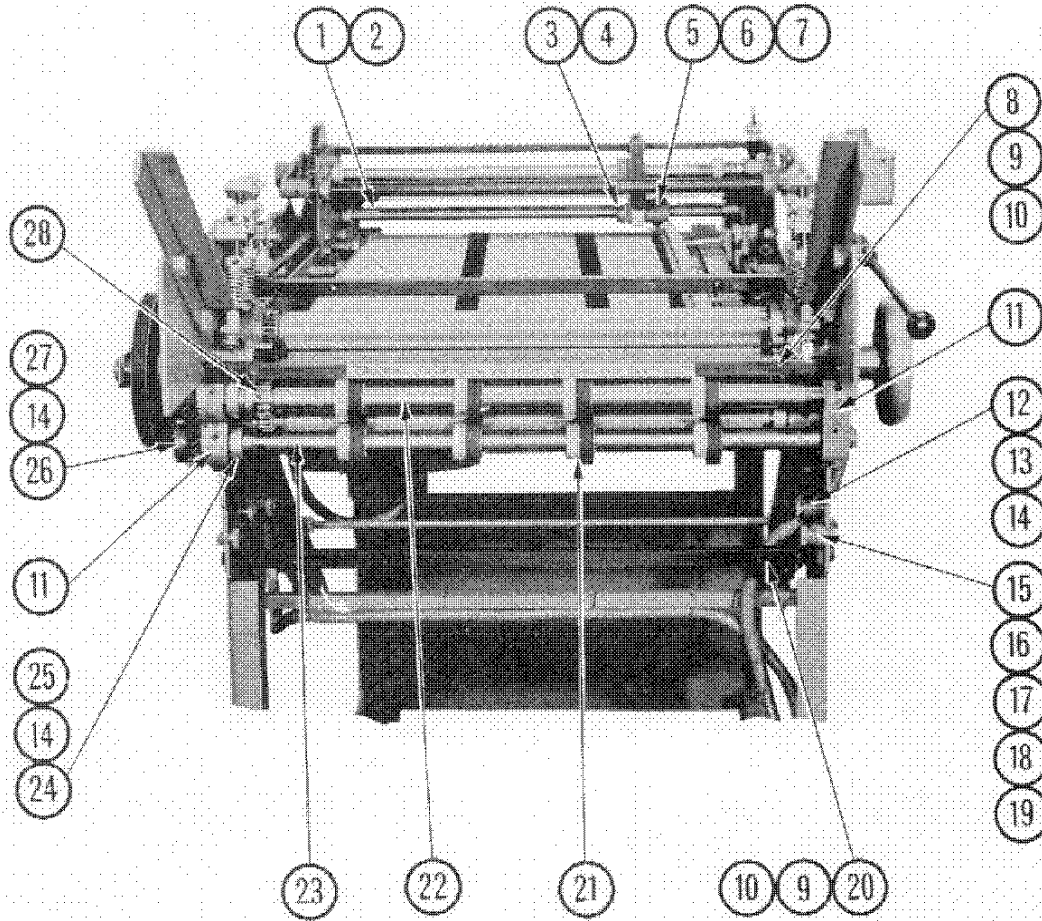
| ITEM NO. | DESCRIPTION | PART NUMBERS | ITEM NO. | DESCRIPTION | PART NUMBERS |
|----------|------------------------------------|--------------|----------|---------------------------------|--------------|
| 1. | Swivel - Motor Rod | 13502 | 13. | Screw - Soc Set, 1/4 - 20 x 1/4 | 20454 |
| 2. | Ring - Retaining | 21078 | 14. | Extension - Tension Screw | 11655 |
| 3. | Washer - Plain, 3/8 x 1/32 | 20493 | 15. | Spring | 09011 |
| 4. | Arm - Control | 13445 | 16. | Block - Tension Screw | 11657 |
| 5. | Screw - Soc Set, 5/16 - 18 x 1/4 | 20462 | 17. | Screw - Hex Hd, 5/16 - 18 x 5/8 | 20021 |
| 6. | Assembly - Speed Adjusting Shaft | 37611 | 18. | Washer - Lock, 5/16 | 20489 |
| 7. | Shaft - Belt Tightener | 13497 | 19. | Collar | 06076 |
| 8. | Swivel - Motor Control Rod (NS) | 13504 | 20. | Knob - Adjusting Screw | 09012 |
| 9. | Screw - Hex Hd Cap, 1/4 - 20 x 3/4 | 20005 | 21. | Nut - Adjusting Screw Lock | 09013 |
| 10. | Washer - Lock, 1/4 | 20480 | 22. | Screw - Adjusting | 09010 |
| 11. | Assembly - Motor Control Rod | 15432 | 23. | Nut - Acorn, 1/4 - 20 | 20553 |
| 12. | Collar | 06729 | | | |

INCLUDE MACHINE MODEL AND SERIAL NUMBER WHEN ORDERING PARTS.



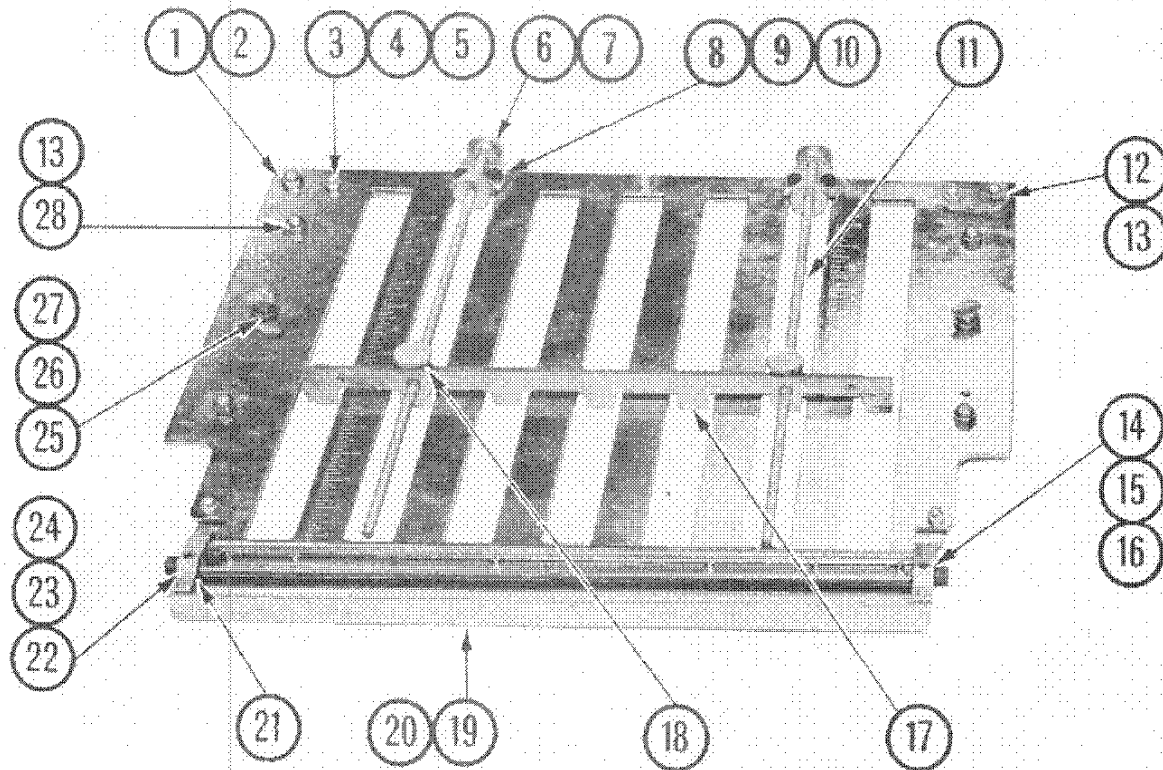
417 FEED TABLE

| ITEM NO. | DESCRIPTION | PART NUMBERS | ITEM NO. | DESCRIPTION | PART NUMBERS |
|----------|------------------------------------|--------------|----------|----------------------------|--------------|
| — | Assembly - Feed Table | 11688 | 10. | Washer - Plain, 1/4 x 1/16 | 20489 |
| 1. | Table - Feed | 11677 | 11. | Nut - Wing, 1/4 - 20 | 20657 |
| 2. | Brace - Feed Table | 10303 | 12. | Guide - Feed Table, RH | 10603 |
| 3. | Stem - Latch Pin Block | 06007 | 13. | Nut - Hex Jam, 1/4 - 20 | 20614 |
| 4. | Bracket - Brace Adjusting | 08982 | 14. | Rod - Adjusting Brace | 10601 |
| 5. | Screw - Hex Hd Cap, 1/4 - 20 x 1 | 20003 | 15. | Flap - Paper Guide | 07468 |
| 6. | Screw - Socket Set, 1/4 - 20 x 1/4 | 20454 | 16. | Pivot - Feed Table | 11306 |
| 7. | Hinge - Feed Table | 11311 | 17. | Screw - Feed Table Stop | 11307 |
| 8. | Screw - Rd Hd Mach, 10 - 24 x 3/4 | 20196 | 18. | Guide - Feed Table, LH | 10602 |
| 9. | Nut - Hex, 10 - 24 | 20613 | | | |



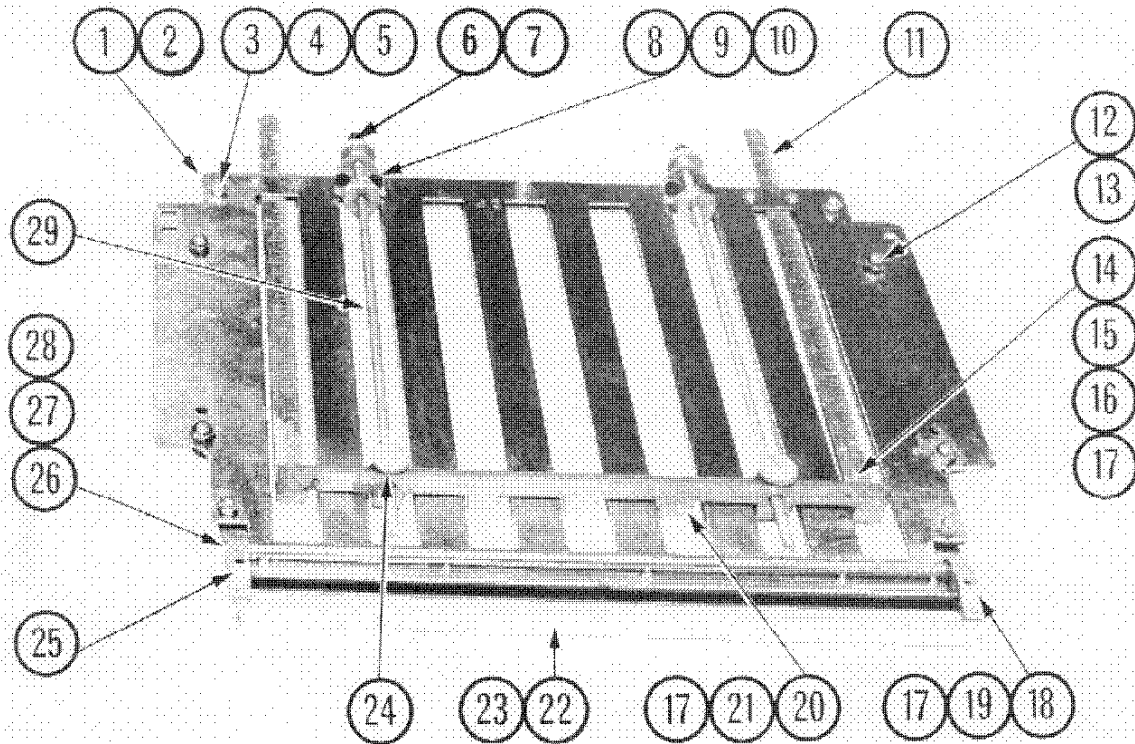
417 FRICTION FEED RETARDER ROLL ASSEMBLY & SLITTER SHAFT

| ITEM NO. | DESCRIPTION | PART NUMBERS 417 | ITEM NO. | DESCRIPTION | PART NUMBERS 417 |
|----------|--|------------------|----------|--------------------------------------|------------------|
| 1. | Assembly - Retarder Roll Shaft | 37613 | 15. | Nut - Eccentric Stacker Roll | 25848 |
| 2. | Shaft - Retarder Roll | 11685 | 16. | Washer - Lock, 1/4" | 20481 |
| 3. | Tire - Retarder Roll | 12718 | 17. | Screw - Hex Hd, 1/4" - 20 x 1 1/4" | 20008 |
| 4. | Slam - Retarder Roll | 11851 | 18. | Screw - Hex Hd Cap, 1/4" - 20 x 3/4" | 20005 |
| 5. | Arm - Retarder Roll Adjusting | 12317 | 19. | Spacer | 26592 |
| 6. | Anti - Retarder Roll | 11653 | 20. | Bar - Tie, Lower | 16040 |
| 7. | Screw - Thumb, 5/16" - 18 x 3/4" | 20549 | 21. | Assembly - Pull-Out Sheet | 06404 |
| 8. | Bar - Tie | 10238 | 22. | Shaft - Slitter, Lower | 43647 |
| 9. | Screw - Hex Hd Cap, 5/16" - 18" | 20022 | 23. | Shaft - Slitter, Upper | 43646 |
| 10. | Washer - Lock, 5/16" | 20483 | 24. | Collar | 08143 |
| 11. | Assembly - Slitter Shaft Boxing | 19112 | 25. | Key - Woodruff | 21138 |
| 12. | Stud - Stacker Support | 13457 | 26. | Gear - Roll, 21T | 06077 |
| 13. | Spacer | 12299 | 27. | Pin - Locating Slitter Box | 13475 |
| 14. | Screw - Socket Set, 5/16" - 18 x 5/16" | 20483 | 28. | Gear - Stacker Drive, 25T | 12352 |



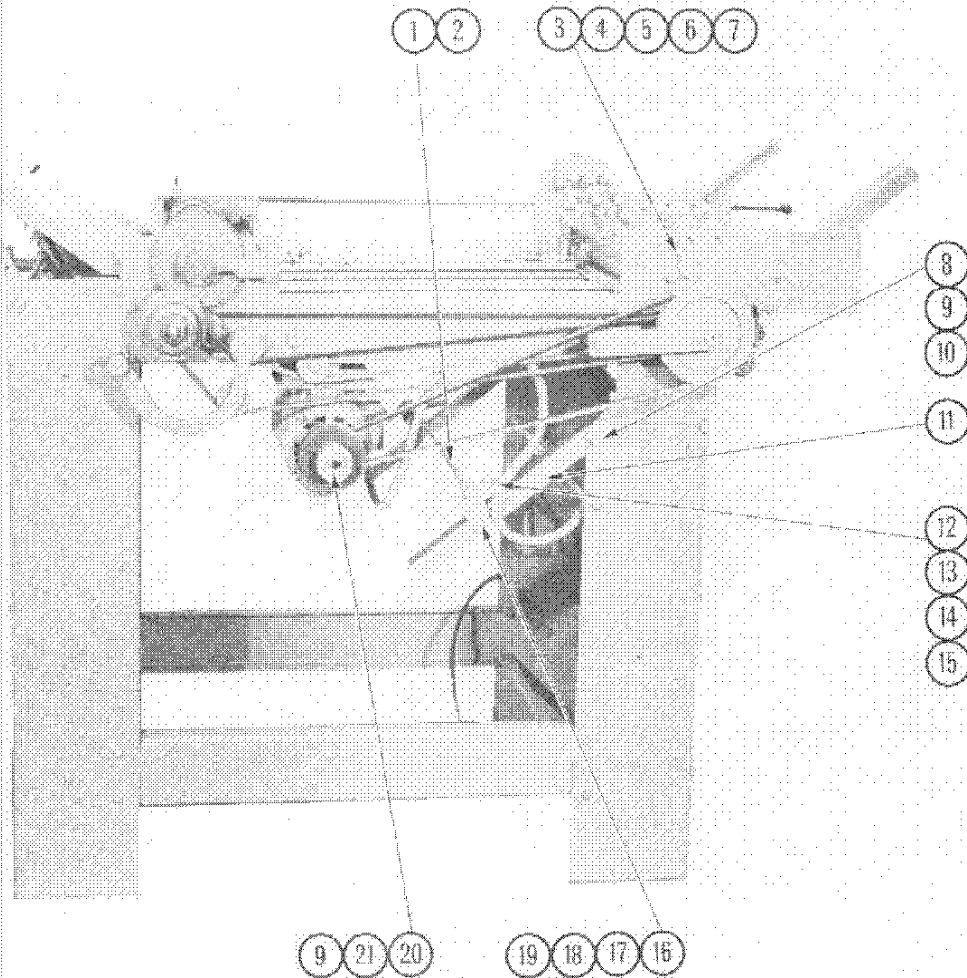
#1 FOLD PAN ASSEMBLY

| ITEM NO. | DESCRIPTION | PART NUMBERS | ITEM NO. | DESCRIPTION | PART NUMBERS |
|----------|-------------------------------------|--------------|----------|-----------------------------------|--------------|
| — | Assembly - #1 Fold Pan | 15400 | 15. | Screw - Rd Hd, 10 - 24 x 1/2 | 20195 |
| 1. | Assembly - #1 Fold Pan | 16005 | 16. | Washer - Lock, 10 | 20480 |
| 2. | Assembly - #1 Fold Pan | 11905 | 17. | Stop - Pan | 10149 |
| 3. | Nut - Acorn, 1/4 - 20 | 20653 | 18. | Screw - Pan Stop | 09584 |
| 4. | Screw - Rd Hd, 1/4 - 20 x 1/2 | 20254 | 19. | Deflector | 10291 |
| 5. | Spacer - Fold Plate | 09581 | 20. | Spacer - Deflector | 09774 |
| 6. | Nut - Pan Stop | 09587 | 21. | Assembly - Hinge Deflector, RH | 43574 |
| 7. | Nut - Acorn, 5/16 - 24 | 20654 | 22. | Screw - Socket Set, 10 - 24 x 3/4 | 20451 |
| 8. | Bracket - Stop Support | 10300 | 23. | Nut - Hex Jam, 10 - 24 | 20613 |
| 9. | Screw - Hex Hd, 1/4 - 20 x 3/8 | 20151 | 24. | Washer - Lock | 22133 |
| 10. | Washer - Lock, 1/4 | 20481 | 25. | Clamp (NS) | 12137 |
| 13. | Rod - Pan Stop | 12145 | 26. | Screw - Thumb | 20548 |
| 12. | Screw - Eccentric Pan Location (NS) | 10585 | 27. | Spacer | 10445 |
| 13. | Nut - Acorn, 5/16 - 18 | 21658 | 28. | Screw - Fold Pan Guide | 15316 |
| 14. | Assembly - Hinge Deflector, LH | 43575 | | | |



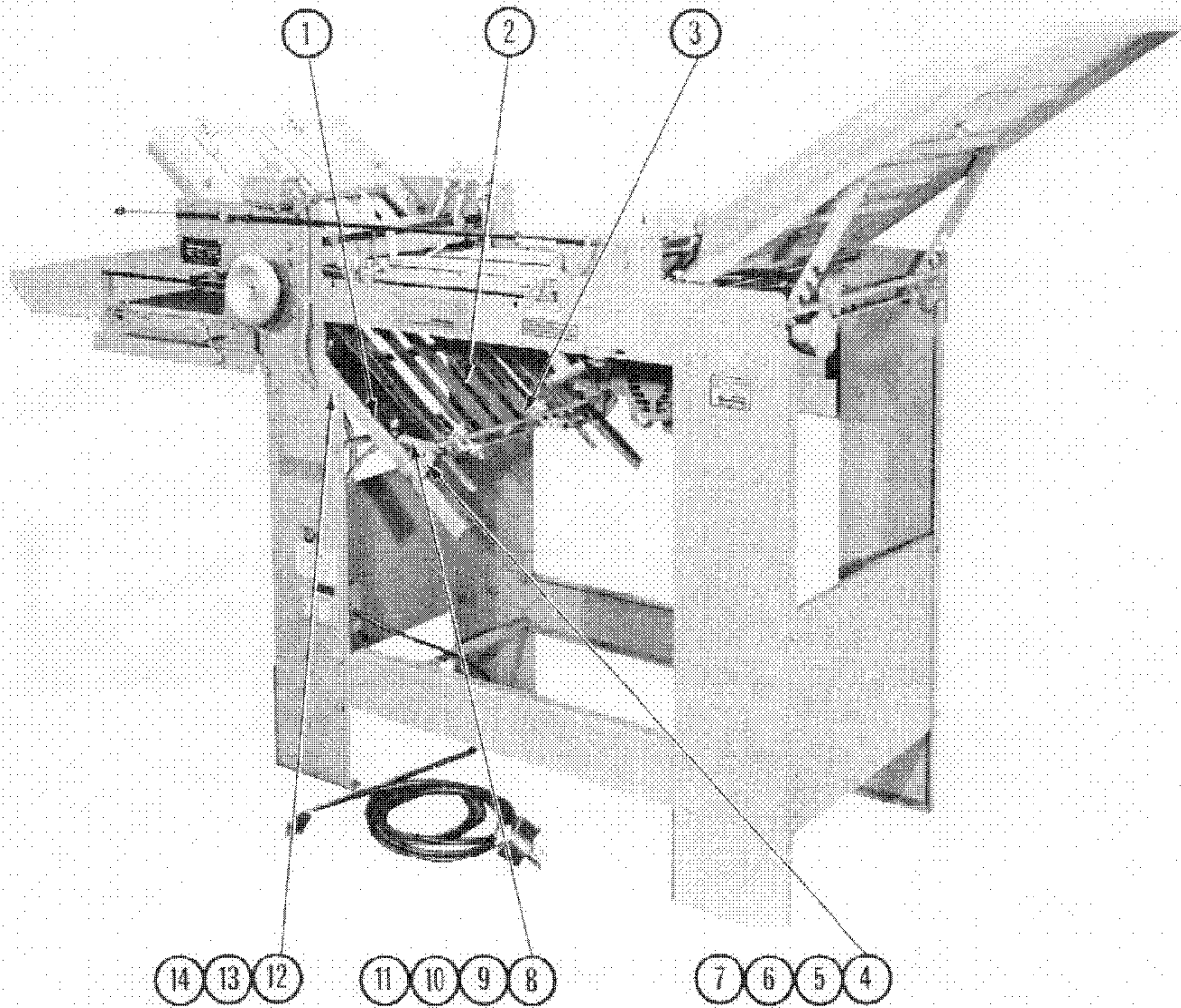
#2 FOLD PAN ASSEMBLY

| ITEM NO. | DESCRIPTION | PART NUMBERS 417 | ITEM NO. | DESCRIPTION | PART NUMBERS 417 |
|----------|--------------------------------|------------------|----------|-----------------------------------|------------------|
| — | Assembly - #2 Fold Pan | 15409 | 15. | Screw - Rd Hd, 10 - 24 x 3/4 | 20198 |
| 1. | Assembly - #2 Fold Pan | 18899 | 16. | Washer - Plain, 10 | 20488 |
| 2. | Assembly - #2 Fold Plate | 11985 | 17. | Washer - Lock, 10 | 20480 |
| 3. | Nut - Acorn, 1/4 - 20 | 20653 | 18. | Assembly - Hinge Deflector, LH | 43575 |
| 4. | Screw - Rd Hd, 1/4 - 20 x 1/2 | 20214 | 19. | Screw - Rd Hd, 10 - 24 x 1/2 | 20195 |
| 5. | Spacer - Fold Plate | 08569 | 20. | Stop - Pan | 10149 |
| 6. | Nut - Acorn, 5/16 - 24 | 20654 | 21. | Screw - Rd Hd, 10 - 24 x 1/4 | 20192 |
| 7. | Nut - Pan Stop | 09587 | 22. | Deflector | 10291 |
| 8. | Bracket - Stop Support | 10366 | 23. | Spacer - Deflector | 09774 |
| 9. | Screw - Hex Hd, 1/4 - 20 x 3/8 | 20151 | 24. | Screw - Pan Stop | 09584 |
| 10. | Washer - Lock, 1/4 | 20481 | 25. | Assembly - Hinge Deflector, RH | 43574 |
| 11. | Scale - 2-15 | 14763 | 26. | Screw - Socket Set, 10 - 24 x 3/4 | 20451 |
| 12. | Nut - Acorn, 5/16 - 18 | 21658 | 27. | Nut - Hex Jam, 10 - 24 | 20613 |
| 13. | Screw - Fold Pan Guide | 15316 | 28. | Washer - Lock | 22133 |
| 14. | Washer - Spacing | 07422 | 29. | Rod - Pan Stop | 12145 |



417 LOWER PAN SUPPORT, RH

| ITEM NO. | DESCRIPTION | PART NUMBERS 417 | ITEM NO. | DESCRIPTION | PART NUMBERS 417 |
|----------|-----------------------------------|---------------------|----------|-------------------------------------|---------------------|
| 1. | Assembly - #2 Pan Support, RH | 36882 | 12. | Latch - Pan | 17413 |
| 2. | Latch - Rod Pan | 25030 | 13. | Collar | 06729 |
| 3. | Line - Oil | 38412 | 14. | Screw - Hex Hd Set. 1/4 - 20 x 3/16 | 21719 |
| 4. | Clamp - Plastic | 21686 | 15. | Screw - Hex Hd. 1/4 - 20 x 3/8 | 20151 |
| 5. | Screw - Rd Hd, 10 - 24 x 1/2 | 22192 | 16. | Bracket - Pan Latch | 25021 |
| 6. | Nut - Hex Jam, 10 - 24 | 20613 | 17. | Pin - Drive | 21948 |
| 7. | Washer - Lock, 1/4 | 22228 | 18. | Washer - Lock, 1/4 | 20481 |
| 8. | Nut - Eccentric | 09594 | 19. | Screw - Hex Hd, 1/4 - 20 x 5/8 | 20004 |
| 9. | Washer - Lock, 5/16 | 20483 | 20. | Pulley - Vari | 21750 |
| 10. | Screw - Hex Hd, 5/16 - 18 x 1-1/4 | 20025 | 21. | Screw - Hex Hd, 5/16 - 18 x 3/4 | 20022 |
| 11. | Support - #2 Pan, RH | 25009 | | | |

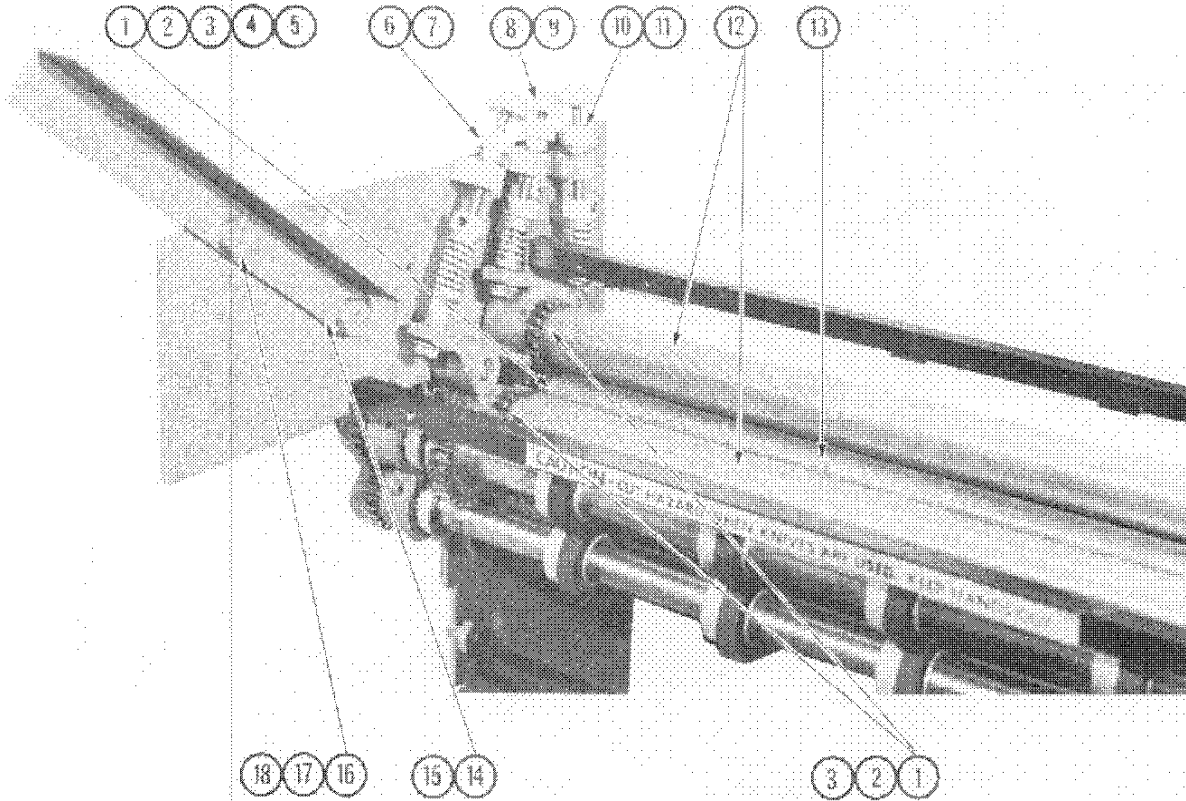


417 LOWER PAN SUPPORT, LH

| ITEM NO. | DESCRIPTION | PART NUMBERS |
|----------|-------------------------------------|--------------|
| — | Assembly - #2 Support, LH | 36883 |
| 1. | Support - #2 LH | 25008 |
| 2. | Assembly - #2 Fold Pan (See Pg. 11) | 15409 |
| 3. | Rod - Pan Latch | 25030 |
| 4. | Bracket - Pan Latch | 25021 |
| 5. | Pin - Drive | 21948 |
| 6. | Washer - Lock, 1/4 | 20481 |
| 7. | Screw - Hex Hd, 1/4 - 20 x 5/8 | 20004 |

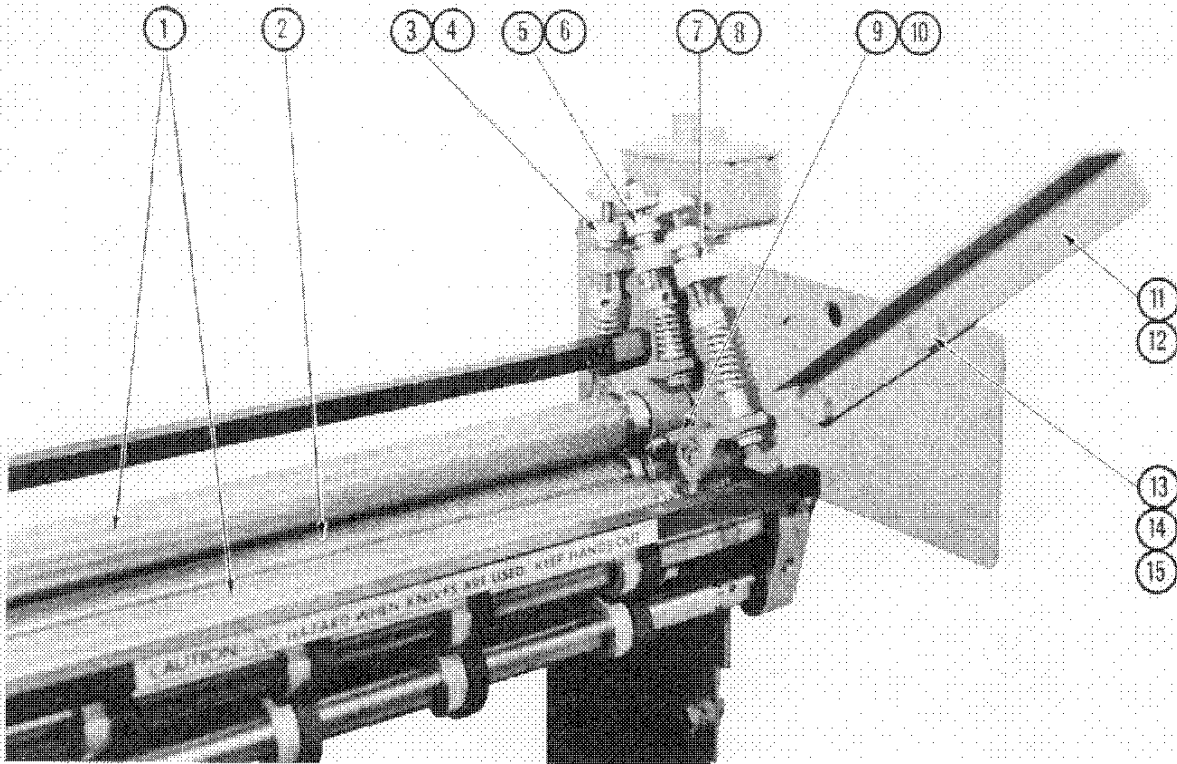
| ITEM NO. | DESCRIPTION | PART NUMBERS |
|----------|-------------------------------------|--------------|
| 8. | Latch - Pan | 17413 |
| 9. | Screw - Hex Hd Set, 1/4 - 20 x 3/16 | 21719 |
| 10. | Screw - Hex Hd, 1/4 - 20 x 3/8 | 20151 |
| 11. | Collar | 06729 |
| 12. | Nut - Eccentric | 09594 |
| 13. | Washer - Lock, 5/16 | 20483 |
| 14. | Screw - Hex Hd, 5/16 - 18 x 1 1/4 | 20025 |

INCLUDE MACHINE MODEL AND SERIAL NUMBER WHEN ORDERING PARTS



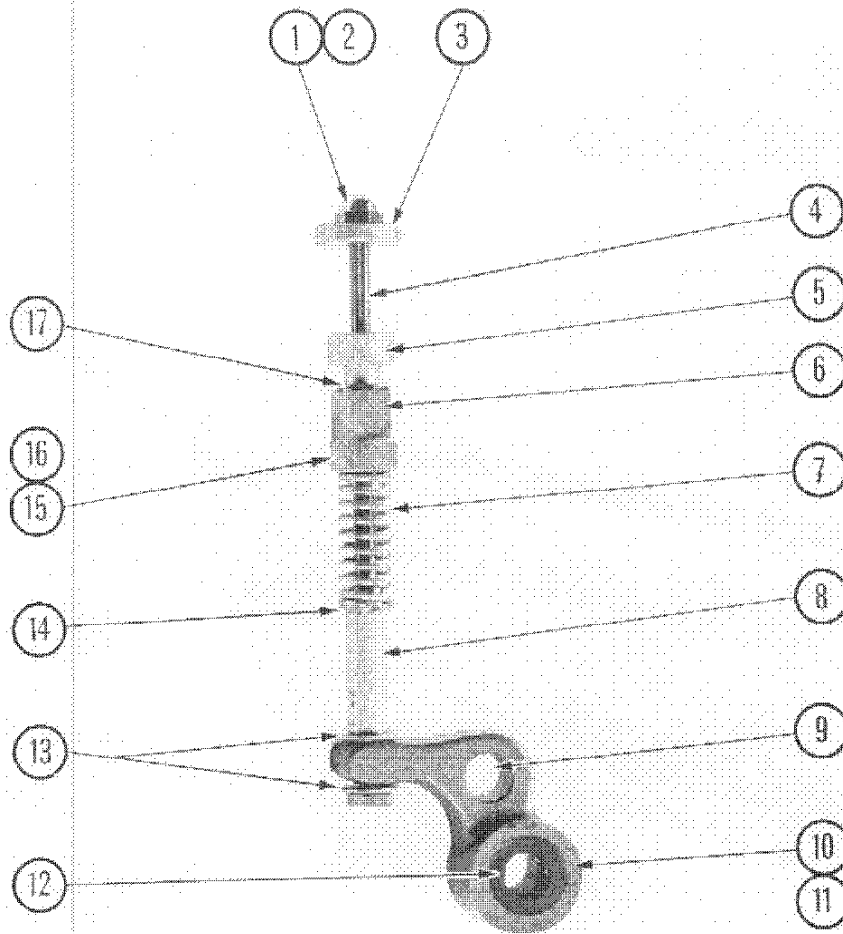
417 PARALLEL INSIDE FRAME - RH & UPPER PAN SUPPORT

| ITEM NO. | DESCRIPTION | PART NUMBERS | ITEM NO. | DESCRIPTION | PART NUMBERS |
|----------|---------------------------------------|--------------|----------|---------------------------------------|--------------|
| 1. | Gear - Roll, 18T | 08544 | 12. | Rolls - Idler, Rubber (Std) | 18218 |
| 2. | Collar | 06076 | — | Rolls - Idler, Steel (Opt.) | 12030 |
| 3. | Screw - Socket Set, 5/16 - 18 x 1/4 | 20462 | — | Rolls - Idler, Comb (Opt.) | 41935 |
| 4. | Sleeve | 12029 | 13. | Roll - Main Drive, Rubber (Std) | 41302 |
| 5. | Screw - Hex Hd, 3/4 - 20 x 5/8 | 20004 | — | Roll - Main Drive, Steel (Opt.) | 41042 |
| 6. | Assembly - Tension Screw (See Pg. 16) | 27312 | — | Roll - Main Drive, Comb (Opt.) | 43471 |
| 7. | Assembly - #2 Idler Roll Boxing | 16615 | 14. | Assembly - #1 Pan Support, RH | 38893 |
| 8. | Assembly - Tension Screw (See Pg. 16) | 27308 | 15. | Support - #1 Pan, RH | 25036 |
| 9. | Assembly - #1 Idler Roll Boxing | 16614 | 16. | Nut - Eccentric | 09594 |
| 10. | Assembly - Tension Screw (See Pg. 16) | 27316 | 17. | Washer - Lock, 5/16 | 20483 |
| 11. | Assembly - #3 Idler Roll Boxing | 16616 | 18. | Screw - Hex Hd Cap, 5/16 - 18 x 1 1/4 | 20025 |



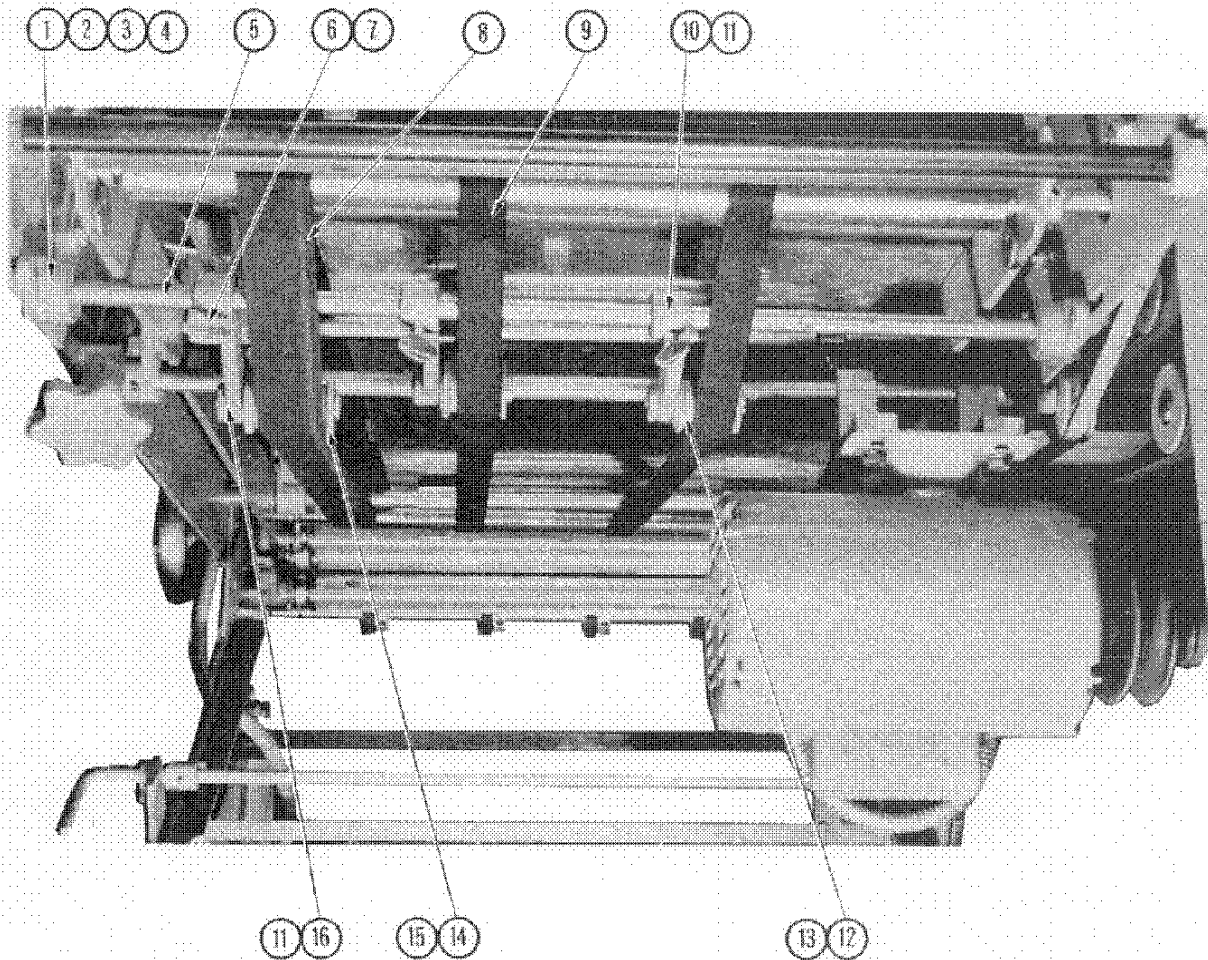
417 PARALLEL INSIDE FRAME - LH & UPPER PAN SUPPORT

| ITEM NO. | DESCRIPTION | PART NUMBERS 417 | ITEM NO. | DESCRIPTION | PART NUMBERS 417 |
|----------|---------------------------------------|---------------------|----------|---------------------------------------|---------------------|
| 1 | Rolls - Idler, Rubber (Std.) | 18218 | 7 | Assembly - Tension Screw (See Pg. 16) | 27312 |
| — | Rolls - Idler, Steel (Opt.) | 12030 | 8 | Assembly - #2 Idler Roll Boxing | 16615 |
| — | Rolls - Idler, Comb (Opt.) | 41935 | 9 | Stop - Deflector | 09809 |
| 2 | Roll - Main Drive, Rubber (Std.) | 41302 | 10 | Nut - Hex Jam, 5/16 - 18 | 20615 |
| — | Roll - Main Drive, Steel (Opt.) | 41042 | 11 | Assembly - #1 Pan Support, LH | 36894 |
| — | Roll - Main Drive, Comb (Opt.) | 49471 | 12 | Support - #1 Pan, LH | 25037 |
| 3 | Assembly - Tension Screw (See Pg. 16) | 27316 | 13 | Nut - Eccentric | 09594 |
| 4 | Assembly - #3 Idler Roll Boxing | 16616 | 14 | Washer - Lock, 5/16 | 20483 |
| 5 | Assembly - Tension Screw (See Pg. 16) | 27308 | 15 | Screw - Hex Hd Cap, 5/16 - 18 x 1 1/4 | 20025 |
| 6 | Assembly - #1 Idler Roll Boxing | 16614 | | | |



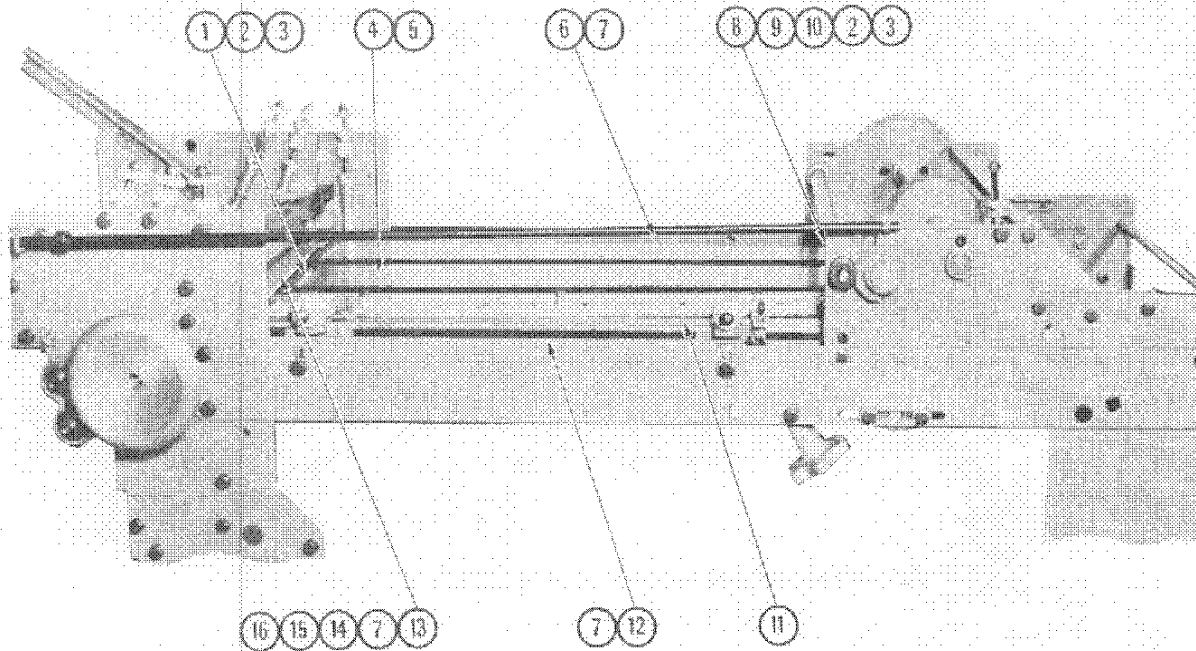
ROLL BOXINGS

| ITEM NO. | DESCRIPTION | #1 BOXING | | #2 BOXING | | #3 BOXING | |
|----------|-----------------------------------|-----------|-------|-----------|-------|-----------|-------|
| | | LH | RH | LH | RH | LH | RH |
| 1. | Assembly - Idler Roll Boxing | 16614 | 16614 | 16615 | 16615 | 16616 | 16616 |
| 2. | Nut - Acorn | 20654 | 20654 | 20654 | 20654 | 20654 | 20654 |
| 3. | Nut - Caplock | 27320 | 27320 | 27320 | 27320 | 27320 | 27320 |
| 4. | Screw - Tension | 27308 | 27308 | 27312 | 27312 | 27316 | 27316 |
| 5. | Nut - Tension Screw Lock | 27470 | 27470 | 27470 | 27470 | 27470 | 27470 |
| 6. | Block - Tension Screw | 27400 | 27400 | 27400 | 27400 | 27400 | 27400 |
| 7. | Spring - Compression | 06489 | 06489 | 06491 | 06491 | 06491 | 06491 |
| 8. | Spacer - Spring | --- | --- | 12893 | 12893 | 08583 | 08583 |
| 9. | Eccentric (NS) | 14962 | 14962 | 14962 | 14962 | 14962 | 14962 |
| 10. | Assembly - Roll Bearing | 37061 | 37061 | 37062 | 37062 | 37063 | 37063 |
| 11. | Boxing - Roll | 10614 | 10614 | 14639 | 14639 | 14723 | 14723 |
| 12. | Bearing - Wood | 21031 | 21031 | 21031 | 21031 | 21031 | 21031 |
| 13. | Washer - Plain, 5/16 | 20492 | 20492 | 20492 | 20492 | 20492 | 20492 |
| 14. | Guide - Spring | 06488 | 06488 | 06488 | 06488 | 06488 | 06488 |
| 15. | Nut - Spring Adj. | 27323 | 27323 | 27323 | 27323 | 27323 | 27323 |
| 16. | Ser - Br Pl Set, 5/16 - 18 x 5/16 | 20462 | 20462 | 20462 | 20462 | 20462 | 20462 |
| 17. | Washer - Curved | 18042 | 18042 | 18042 | 18042 | 18042 | 18042 |



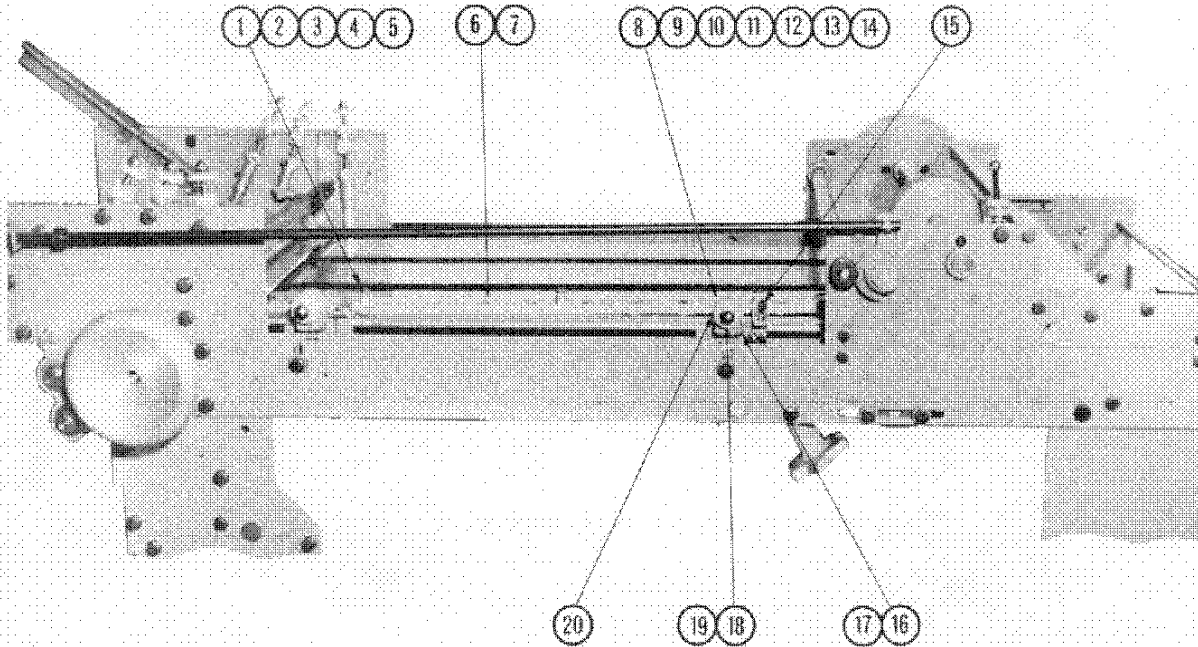
417 TAPE TIGHTENERS

| ITEM NO. | DESCRIPTION | PART NUMBERS | ITEM NO. | DESCRIPTION | PART NUMBERS |
|----------|--|--------------|----------|-------------------------------|--------------|
| | | 417 | | | 417 |
| 1. | Bracket - Tape Tightener Shaft | 14375 | 9. | Tape, 1" | 20924 |
| 2. | Screw - Hex Hd Cap, 5/16 - 18 x 5/8 | 20021 | 10. | Assembly - Tape Tightener Arm | 15398 |
| 3. | Washer - Plain, 5/16 | 20492 | 11. | Arm - Tape Tightener | 26735 |
| 4. | Screw - Socket Set, 1/4 - 20 x 1/4 | 20454 | 12. | Spool - Tape Tightener Arm | 08232 |
| 5. | Shaft - Tape Tightener | 14356 | 13. | Stem - Tape Tightener Arm | 06231 |
| 6. | Screw - Thumb, 5/16 - 18 x 1/2 | 20548 | 14. | Spool - Tape Tightener Arm | 06902 |
| 7. | Screw - Sq Hd Cup Pt Set, 1/4 - 20 x 5/8 | 20403 | 15. | Stem - Tape Tightener Arm | 07543 |
| 8. | Tape, 1 1/2" | 20923 | 16. | Assembly - Tape | 15395 |



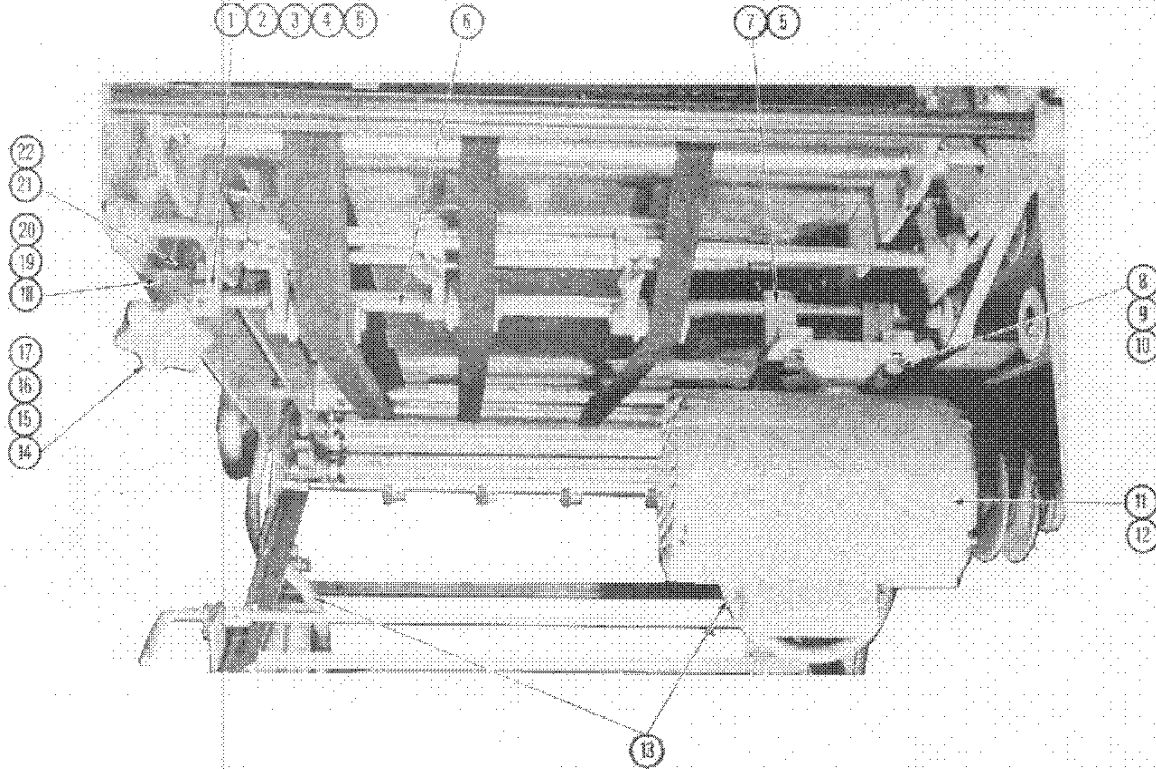
417 REGISTER TABLE

| ITEM NO. | DESCRIPTION | PART NUMBERS | ITEM NO. | DESCRIPTION | PART NUMBERS |
|----------|-----------------------------------|--------------|----------|------------------------------------|--------------|
| — | Assembly - Register | 37519 | 9. | Collar | 06358 |
| 1. | Roll - Tape, Small | 26797 | 10. | Screw - Soc Set, 1/4 - 20 x 1/4 | 20454 |
| 2. | Bearing - Sleeve | 14349 | 11. | Gage | 28649 |
| 3. | Offer | 21553 | 12. | Rail - Register, LH | 28650 |
| 4. | Plate - Register | 41701 | 13. | Plate - Tape | 14359 |
| 5. | Bearing - Eccentric Plate | 27549 | 14. | Bar - Tape Plate (NS) | 29414 |
| 6. | Rail - Register, RH | 28886 | 15. | Screw - Hex Hd Cap, 1/4 - 20 x 5/8 | 20004 |
| 7. | Screw - Fl Hd Mach, 10 - 24 x 3/8 | 07728 | 16. | Washer - Lock, 1/4 | 20481 |
| 8. | Roll - Tape, Large (NS) | 28007 | | | |



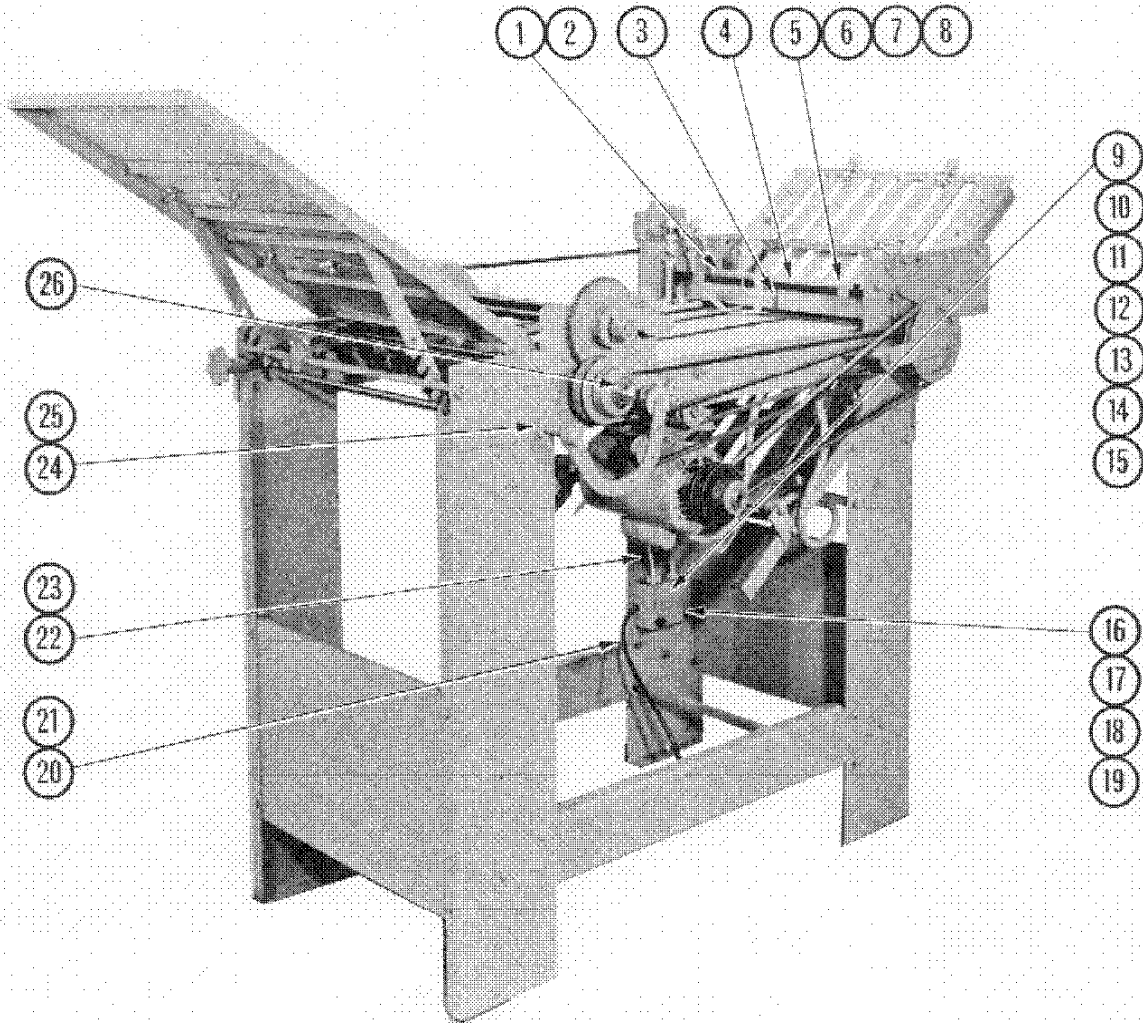
417 REGISTER TABLE

| ITEM NO. | DESCRIPTION | PART NUMBERS 417 | ITEM NO. | DESCRIPTION | PART NUMBERS 417 |
|----------|------------------------------------|------------------|----------|--------------------------------|------------------|
| 1 | Retainer - Marble | 28647 | 11 | Washer - Lock, 10 | 20460 |
| 2 | Spacer - 5/16 | 07818 | 12 | Nut - Hex Jam, 10 - 24 | 20613 |
| 3 | Spacer - 3/16 | 15350 | 13 | Screw - Thumb, 1/4 - 20 x 1/2 | 20536 |
| 4 | Bracket - Marble Bar, Short | 07815 | 14 | Washer - Plain, 1/4 | 20489 |
| 5 | Screw - Rd Hd Mach, 1/4 - 20 x 5/8 | 20216 | 15 | Bracket - Marble Bar, Long | 09747 |
| 6 | Bar - Marble Holder | 28648 | 16 | Bracket - Register Adjusting | 13112 |
| 7 | Marble - Glass | 21128 | 17 | Screw - Thumb, 5/16 - 18 x 1/2 | 20548 |
| 8 | Bracket - Register Gage | 27509 | 18 | Nut - Acorn, 5/16 - 18 | 21658 |
| 9 | Screw - Soc Set, 10 - 24 x 1/4 | 20446 | 19 | Screw - Register Adjusting | 12905 |
| 10 | Screw - Fl Hd Mach, 10 - 24 x 5/8 | 20246 | 20 | Knob - Bracket Adjusting | 27345 |



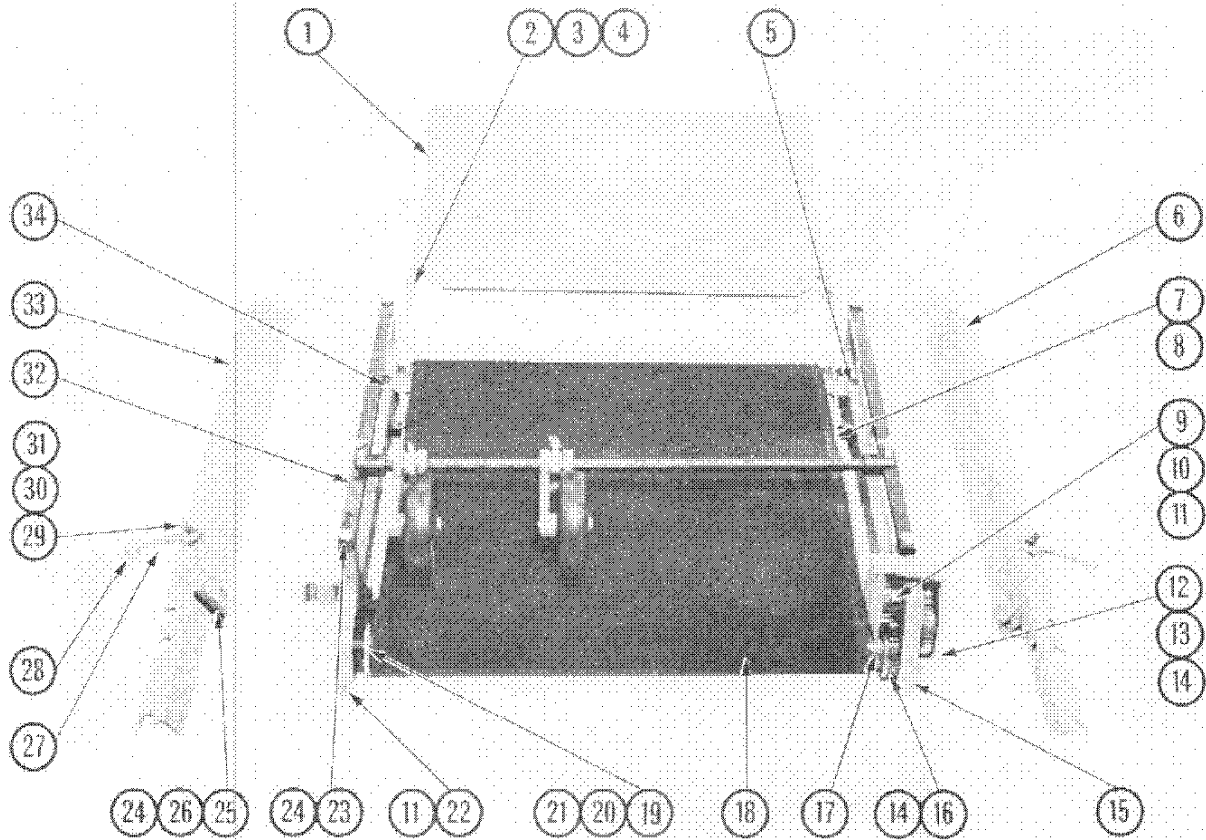
417 MOTOR & MOUNTS

| ITEM NO. | DESCRIPTION | PART NUMBERS | ITEM NO. | DESCRIPTION | PART NUMBERS |
|----------|-------------------------------------|--------------|----------|------------------------------------|--------------|
| | | 417 | | | 417 |
| 1. | Arm - Control | 13445 | 12. | Connector | 21919 |
| 2. | Swivel - Motor Rod | 13502 | 13. | Conduit - 3/8 | 21536 |
| 3. | Washer - Plain, 3/8 x 1/32 | 20493 | 14. | Assembly - Motor Control Knob | 16894 |
| 4. | Ring - Retaining | 21078 | 15. | Knob - Control Rod | 12682 |
| 5. | Screw - Socket Set, 5/16 - 18 x 1/4 | 20482 | 16. | Screw - Motor Adjusting | 28867 |
| 6. | Shaft - Motor Adjusting | 13498 | 17. | Pin - Roll | 22185 |
| 7. | Bracket, Motor | 13410 | 18. | Swivel - Motor Control Rod | 28566 |
| 8. | Screw - Hex Hd Cap, 5/16 - 18 x 5/8 | 20021 | 19. | Screw - Hex Hd Cap, 1/4 - 20 x 1/2 | 20003 |
| 9. | Washer - Lock, 5/16 | 20483 | 20. | Washer - Lock, 1/4 | 20481 |
| 10. | Washer - Plain, 5/16 x 1/32 | 20491 | 21. | Coilar | 06729 |
| 11. | Motor | 21452 | 22. | Screw - Set, 1/4 - 20 x 3/16 | 21719 |



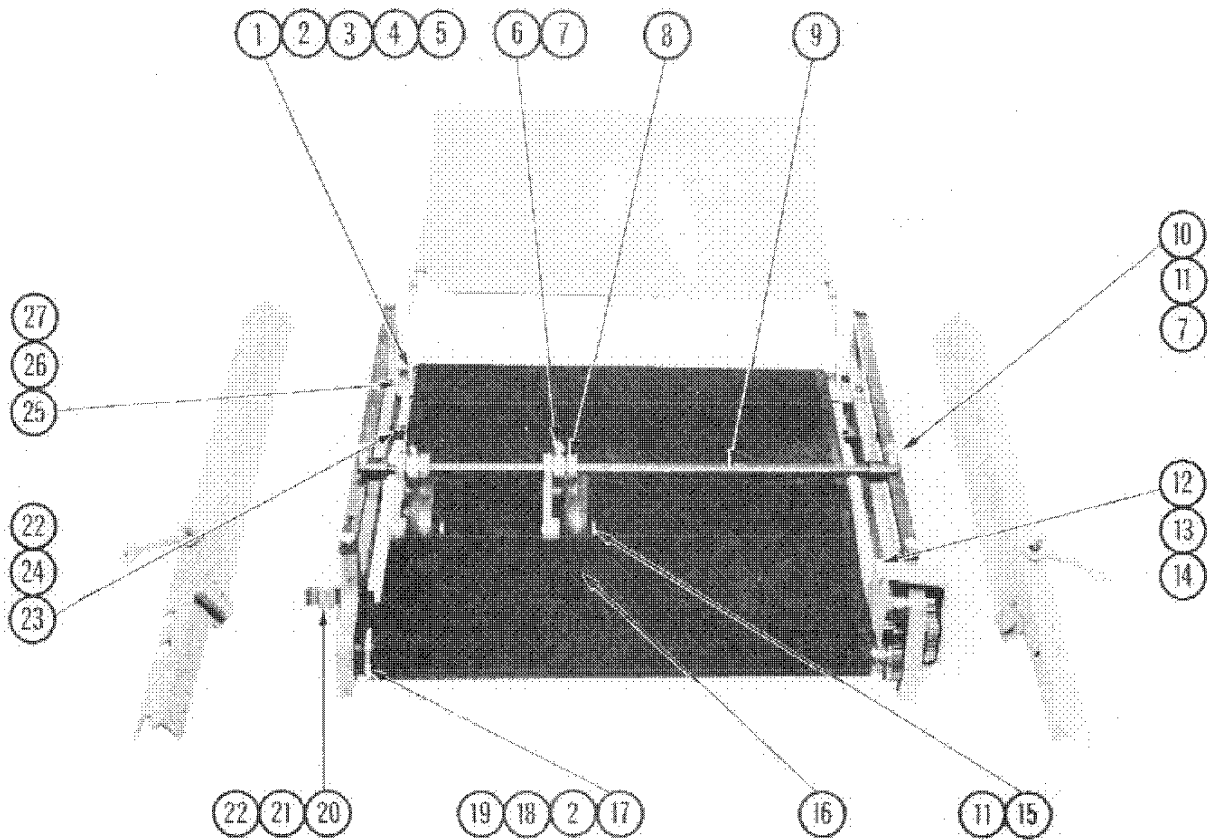
417 NIP GUARDS & RECEPTACLE ENCLOSURE

| ITEM NO. | DESCRIPTION | PART NUMBERS | ITEM NO. | DESCRIPTION | PART NUMBERS |
|----------|--------------------------------------|--------------|----------|-------------------------------------|--------------|
| 1. | Assembly - Roll Guard Kit | 41396 | 15. | Washer - Internal Tooth, 10 | 23335 |
| 2. | Guard - Rear Roll | 40789 | 16. | Fuse - 10 Amp | 24001-103 |
| 3. | Guard - Front Roll | 40788 | 17. | Fuse - 15 Amp | 24001-153 |
| 4. | Bar - Tie | 40790 | 18. | Holder - Fuse | 22427 |
| 5. | Clamp - Block | 75113 | 19. | Washer - Lock, 1/2 | 20487 |
| 6. | Knob | 23364 | — | Diagram - Wiring (See Pg. 26) | 43804 |
| 7. | Screw - Soc Hd Cap, 1/4 - 28 x 1 1/4 | 23431 | 20. | Cord | 21057 |
| 8. | Spacer | 06569 | 21. | Connector - Straight | 21110 |
| 9. | Assembly - Receptacle Enclosure | 43975 | 22. | Conduit - 3/8 | 21836 |
| 10. | Enclosure - Receptacle | 41200 | 23. | Connector - Straight | 21824 |
| 11. | Washer - Internal Tooth, 6 | 23082 | 24. | Collar | 06055 |
| 12. | Screw - Rd Hd Mach, 6-32 x 3/8 | 22044 | 25. | Screw - Socket Set, 5/16 - 18 x 1/4 | 20462 |
| 13. | Screw - Rd Hd Mach, 10 - 24 x 5/8 | 20197 | 26. | Oiler - Elbow, 5/16 | 21069 |
| 14. | Nut - Hex Jam, 10 - 24 | 20813 | | | |



417 STACKER ASSEMBLY

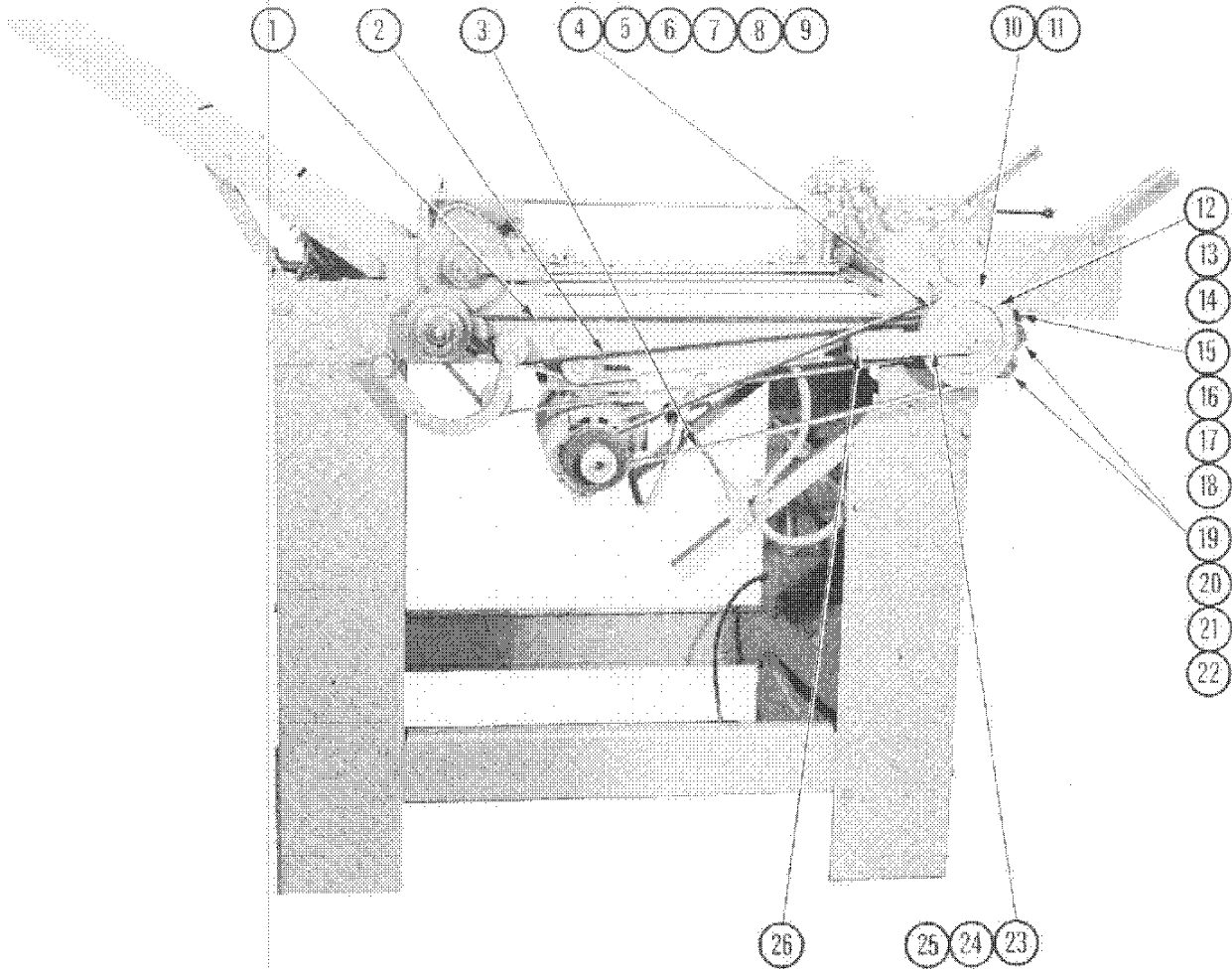
| ITEM NO. | DESCRIPTION | PART NUMBERS 417 | ITEM NO. | DESCRIPTION | PART NUMBERS 417 |
|----------|-------------------------------------|---------------------|----------|-------------------------------------|---------------------|
| — | Assembly - Stacker | 19479 | 18 | Bar - Stacker | 26307 |
| 1 | Panel - Stacker | 38735 | 19 | Spool - Belt Guide | 10995 |
| 2 | Guide - Pan | 43160 | 20 | Screw - Sec Fl Hd, 1/4 - 20 x 1 1/4 | 20396 |
| 3 | Coiler | 04110 | 21 | Nut - Hex Jam, 1/4 - 20 | 20614 |
| 4 | Screw - Socket Set, 10 - 24 x 1/4 | 20446 | 22 | Frame - Stacker, Left | 27535 |
| 5 | Guard - Stacker Roll, RH | 43986 | 23 | Screw - Hex Hd, 1/4 - 20 x 3/4 | 20005 |
| 6 | Support - Stacker, RH | 26328 | 24 | Washer - Lock, 1/4 | 20481 |
| 7 | Plate - Stacker | 26306 | 25 | Block - Stacker | 06287 |
| 8 | Screw - Fl Hd, 10 - 24 x 1/2 | 20044 | 26 | Screw - Hex Hd, 1/4 - 20 x 1/2 | 20309 |
| 9 | Gear - Roll - 27T | 07475 | 27 | Roll - End, 2 1/2 x 2 1/2 x 1 1/2 | 37834 |
| 10 | Screw - Pilletter Hd, 10 - 24 x 1/2 | 20314 | 28 | Nut - Wing, 3/8 - 16 | 20050 |
| 11 | Bearing - Ball | 21030 | 29 | Screw - Hex Hd, 5/16 - 18 x 1 | 20025 |
| 12 | Gear - 35T | 05090 | 30 | Nut - Hex Jam, 5/16 | 20615 |
| 13 | Gear - 5T | 08338 | 31 | Washer - Lock, 5/16 | 20435 |
| 14 | Screw - Socket Set, 5/16 - 18 x 1/4 | 20482 | 32 | Bar - Guide Block | 26024 |
| 15 | Bearing - Ball | 20995 | 33 | Support - Stacker, LH | 26025 |
| 16 | Gear - Stacker Drive - 27T | 07476 | 34 | Guard - Stacker Roll, LH | 43985 |
| 17 | Flange - Roll Gear | 06350 | | | |



417 STACKER ASSEMBLY

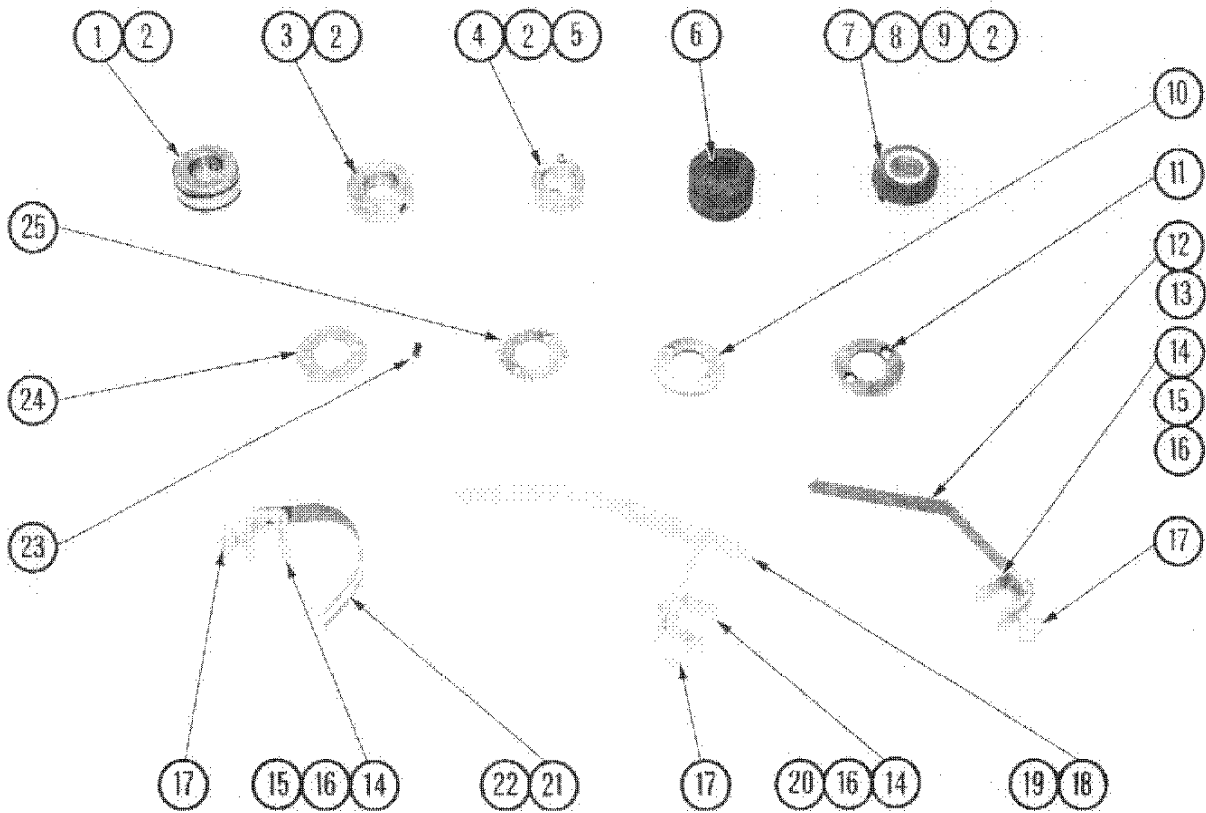
| ITEM NO. | DESCRIPTION | PART NUMBERS 417 | ITEM NO. | DESCRIPTION | PART NUMBERS 417 |
|----------|-------------------------------|------------------|----------|-----------------------------------|------------------|
| 1. | Assembly - Adjustable Roll | 16258 | 15. | Stem - Wheel | 07587 |
| 2. | Roll - Stacker | 12044 | 16. | Wheel - Hold Down | 20190 |
| 3. | Flange - Roll | 42409 | 17. | Assembly - Drive Roll | 16257 |
| 4. | Bushing - Bronze | 20941 | 18. | Flange - Roll | 06348 |
| 5. | Pin - Roll | 23051 | 19. | Shaft - Drive Roll | 10274 |
| 6. | Collar | 06356 | 20. | Block - Stacker Hold Down | 26593 |
| 7. | Screw - Thumb, 1/4 - 20 x 1/2 | 20535 | 21. | Screw - Hex Hd, 5/16 - 18 x 3/16 | 20322 |
| 8. | Arm - Hold Down Wheel | 09738 | 22. | Washer - Lock, 5/16 | 20483 |
| 9. | Rod - Shoe | 13484 | 23. | Bar - Tie | 13649 |
| 10. | Block - Wheel Guide | 25879 | 24. | Screw - Hex Hd, 5/16 - 18 x 1 1/4 | 20025 |
| 11. | Screw - Socket Set, 1/4 - 20 | 20454 | 25. | Shaft - Adjusting Roll | 13505 |
| 12. | Washer - Lock, 5/16 | 22155 | 26. | Collar | 07032 |
| 13. | Screw - 6 - 32 x 3/8 | 23651 | 27. | Screw - Socket Set, 10 - 24 x 1/4 | 20446 |
| 14. | Guard - Stacker Gear | 45967 | | | |

INCLUDE MACHINE MODEL AND SERIAL NUMBER WHEN ORDERING PARTS.



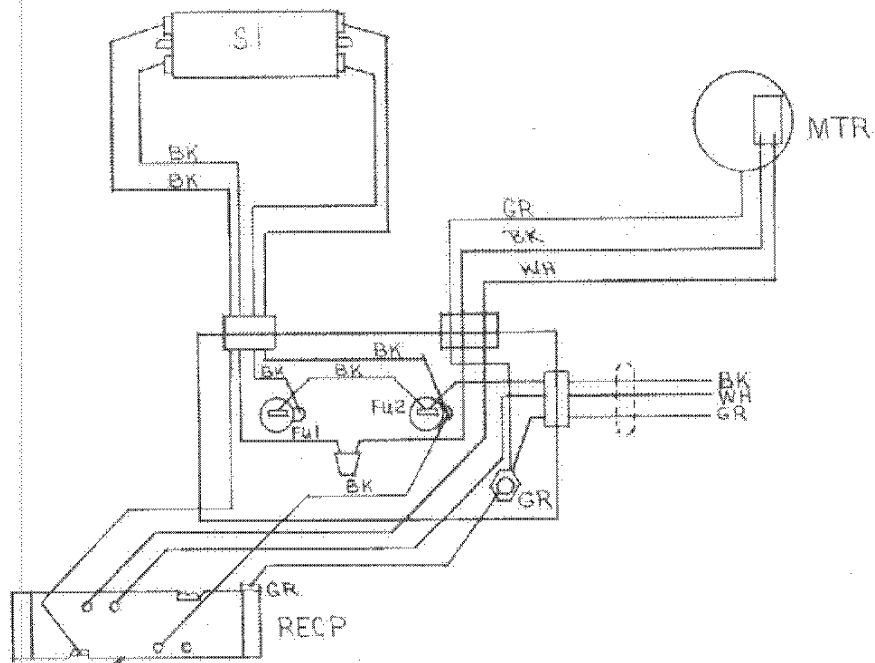
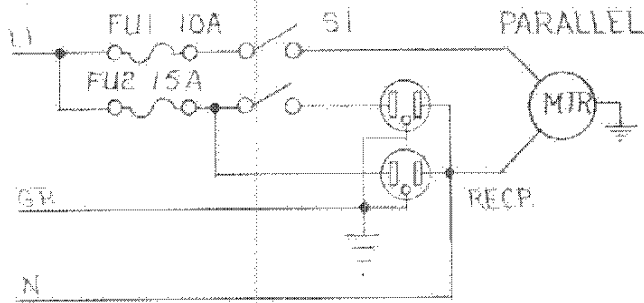
417 PARALLEL DRIVE SYSTEM

| ITEM NO. | DESCRIPTION | PART NUMBERS | ITEM NO. | DESCRIPTION | PART NUMBERS |
|----------|-------------------------------------|--------------|----------|--------------------------------------|--------------|
| 1. | Belt - V | 20783 | 14. | Key - Woodruff | 21138 |
| 2. | Belt - V | 20791 | 15. | Screw - Slitter Box Clamp | 15317 |
| 3. | Belt - V | 20776 | 16. | Screw - Hex Hd Cap, 5/16 - 18 x 1 | 20026 |
| 4. | Gear - Idler, 27T (NS) | 13426 | 17. | Washer - Lock, 5/16 | 20483 |
| 5. | Stern - Idler Gear | 10136 | 18. | Nut - Hex Jam, 5/16 - 18 | 20615 |
| 6. | Screw - Fl Hd, 1/4 - 20 x 1/2 | 20262 | 19. | Gear - Roll, 21T | 06077 |
| 7. | Oiler - Elbow, 5/16 | 21029 | 20. | Screw - Socket Set, 5/16 - 18 x 5/16 | 20463 |
| 8. | Washer - Plain, 6/16 x 1/64 | 20498 | 21. | Pin - Locating Slitter Box | 13475 |
| 9. | Ring - Retaining | 21061 | 22. | Guard - Parallel Slitter Box | 06501 |
| 10. | Gear - Drive, 18T | 13424 | 23. | Bracket - Support | 40395 |
| 11. | Screw - Socket Set, 5/16 - 18 x 1/4 | 20462 | 24. | Bearing - Sleeve | 39261 |
| 12. | Sheave - Register Drive | 13427 | 25. | Bushing | 20972 |
| 13. | Screw - Socket Set, 5/16 - 18 x 1/2 | 20465 | 26. | Stud - Support | 40394 |



417 PARALLEL ACCESSORIES

| ITEM NO. | DESCRIPTION | PART NUMBERS 417 | ITEM NO. | DESCRIPTION | PART NUMBERS 417 |
|----------|---------------------------------------|---------------------|----------|-------------------------------------|---------------------|
| 1 | Collar - Female Perforator | 06799 | 14 | Clamp - Stripper | 06433 |
| 2 | Screw - Socket Set, 5/16" - 16 x 5/16 | 20433 | 15 | Screw - Rd Hd Mach, 1/4" - 20 x 1/4 | 20210 |
| 3 | Collar - Scoring | 07780 | 16 | Washer - Plain | 20480 |
| 4 | Collar - Blade Holder | 06411 | 17 | Screw - Thumb | 00530 |
| 5 | Screw - Fl Hd Mach, 10 - 24 x 3/8 | 20312 | 18 | Assembly - Guide Shoe | 15090 |
| 6 | Thru - Scoring | 07781 | 19 | Weight - Guide Shoe | 19073 |
| 7 | Assembly - Pull-Out Sheet | 06404 | 20 | Screw - Rd Hd Mach, 1/4" - 20 x 1/4 | 20212 |
| 8 | Strive - Pull-Out Sheet | 06407 | 21 | Assembly - Slotted Stripper | 06824 |
| 9 | Band - Pull-Out Sheet | 06402 | 22 | Stripper - Slotted | 06438 |
| 10 | Blade - Slitting | 06804 | 23 | Screw - Fl Hd Mach, 10 - 24 x 3/8 | 07726 |
| 11 | Blade - Slitting | 06374 | 24 | Blade - Scoring, Fin | 06329 |
| 12 | Assembly - Stacker Hold Down | 15623 | 25 | Blade - Perforator, 417 | 07791 |
| 13 | Spring - Slacker Hold Down | 06240 | | | |



BREAK STRAPS
BETWEEN SCREWS

417
FRICION FEED
SCHEMATIC & WIRING DIAGRAM
 43804