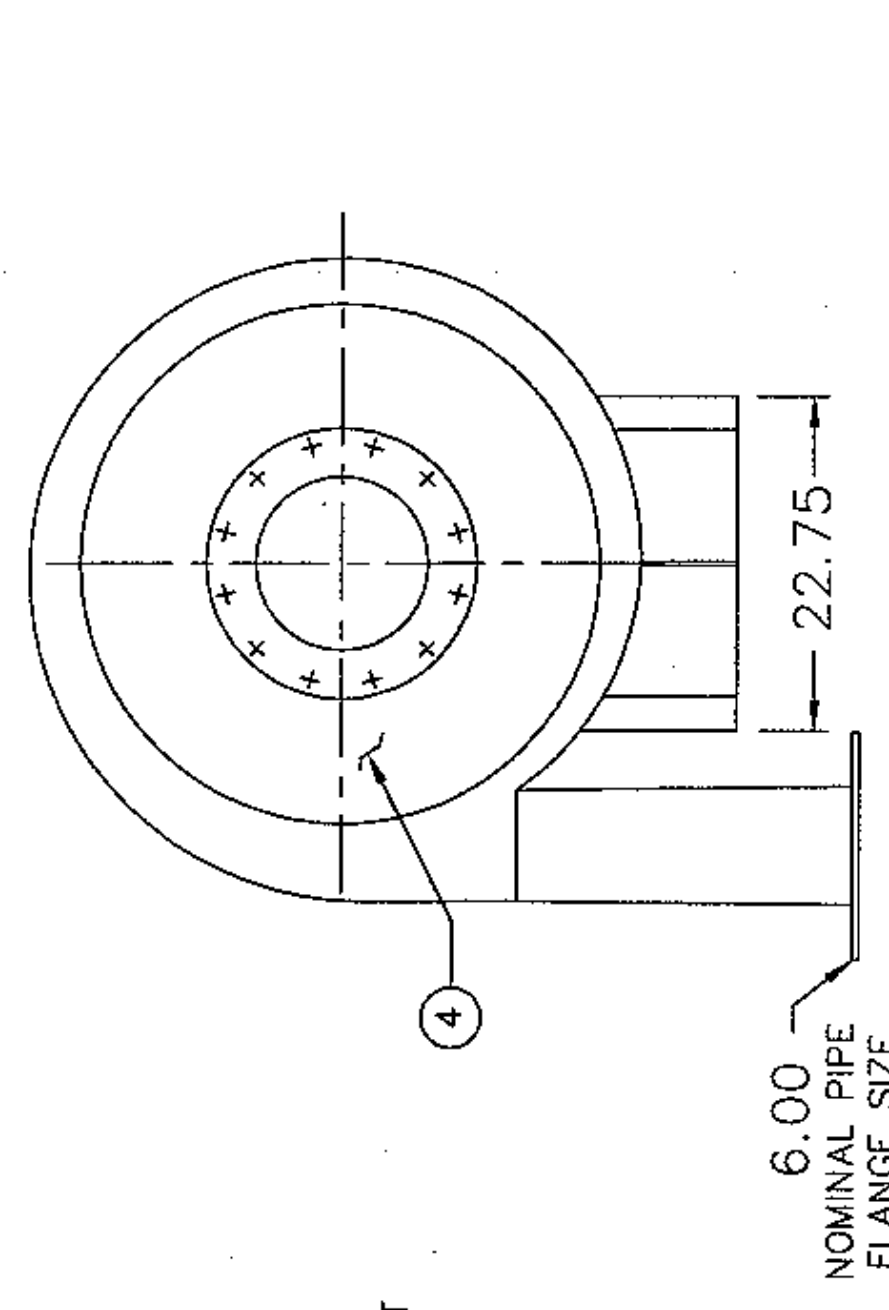


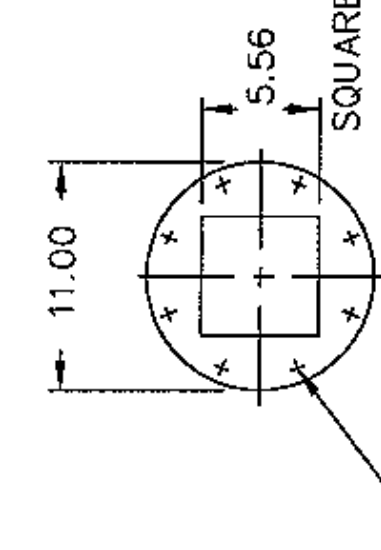
FOUNDATION PLAN TOP VIEW

ITEM	DESCRIPTION	DWG. NO.
4	INLET ASSEMBLY	BN18215
3	WHEEL (NOT SHOWN)	BS14801
2	BASE ASSEMBLY	CN18217
1	HOUSING ASSEMBLY 5/8" SIDE SCROLL	8A CN18209
	HOUSING OUTLET SUB-ASSY	CN18213

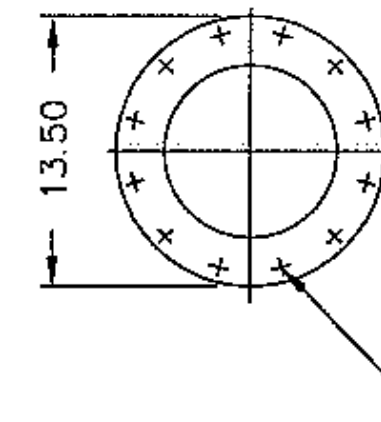
**BILL OF MATERIALS**



NOMINAL PIPE FLANGE SIZE



OUTLET FLANGE



INLET FLANGE

( 8 ) .44 DIA. HOLES ON A 9.50 DIA. B.C. STRADDLING CENTER LINE. .38 THICK

( 8 ) .44 DIA. HOLES ON A 11.75 DIA. B.C. STRADDLING CENTER LINE. .38 THICK

# V O I D

PERFORMANCE "A"	MOTOR DESCRIPTION
DENS. 0.075 LB/FT 3	TECO MOTORS
C.F.M. 1531	TYPE TEFC
S.P. 58.5	HP 40 R.P.M. 3600
R.P.M. 3421	MOTOR FRAME 324TS
B.H.P. 24.85	PHASE / CYCLE / VOLTAGE
O.V. 7803	3 / 60 / 460
TEMP: 70 ELEV: 0	FURNISHED BY TCF
	MOUNTED BY TCF
PERFORMANCE "B"	DRIVE INFORMATION
DENS. LB/FT 3	
C.F.M.	MTR. SHEAVE
S.P.	MTR BUSHING
R.P.M.	FAN SHEAVE
B.H.P.	FAN BUSHING
O.V.	BELTS
TEMP: ELEV:	TYPE
WEIGHT: 915	SERVICE FACTOR:
	FURNISHED BY
	MOUNTED BY

DRAWING NO.	CUSTOMER
<b>BF</b> 246598	BACHMAN DAMPJOINT
REV. A	JOB NAME
ITEM 1	JOB LOCATION
	CONSULTING ENGINEER
	S.O. NUMBER 246598 CUST. P.O. No. 21011
	TAG UNIT SEE ORDER COMMENTS

**ACCESSORIES & NOTES**

1. FLANGE-OUTLET, PUNCHED EXTENDED BELOW (SEE DETAIL)
2. SHAFT SEAL-STD TYPE
3. FLANGE-INLET, PUNCHED (SEE DETAIL)
4. INLET SILENCER TO REDUCE NOISE LEVEL TO 85 DBA AT 5FT -- INCLUDING SUPPORT LEG AND BIRDSCREEN

**NOTES**

1. ITEM 1 FAN TAG 1FN-PR-1510; MOTOR TAG 1MTR-FNPR1510
- ITEM 2 FAN TAG 1FN-PR-1520; MOTOR TAG 1MTR-FNPR1520
- ITEM 3 FAN TAG 1FN-PR-1530; MOTOR TAG 1MTR-FNPR1530
- ITEM 4 FAN TAG 1FN-PR-1540; MOTOR TAG 1MTR-FNPR1540
- ITEM 5 FAN TAG 1FN-PR-1550; MOTOR TAG 1MTR-FNPR1550
- ITEM 6 FAN TAG 1FN-PR-1560; MOTOR TAG 1MTR-FNPR1560

BELT CENTERS		
MIN	MAX	ACTUAL

A	DISCH WAS TAD; CHANGED DWG TO STD	ZS	REV BY	KJ	DATE	3/11/08
REVISIONS						
DRN BY	SJL	DATE	1/22/2008	CHKD BY	AS	DATE
SCALE = NONE			CERT BY		DATE	1/25/08

**TWIN CITY FAN & BLOWER**  
5959 TRENTON LANE MINNEAPOLIS, MN. 55442  
MEMBER OF AIR MOVEMENT AND CONTROL ASSOCIATION

TYPE	ARRANGEMENT	WIDTH	SIZE	CLASS	DISCHARGE
TBR	4		R29N	HP	DBD
ROTATION	ROTATABLE	%WIDTH	%DIA		MOTOR POS.
CW	Non-Rot	100	100		

REF #	DRAWING NO.	REV.	ITEM
BC13279J	<b>BF</b> 246598	A	1

THE DESIGN SHOWN ON THIS DRAWING IS THE EXCLUSIVE PROPERTY OF TWIN CITY FAN COMPANIES, LTD. IT IS NOT TO BE USED FOR ANY PURPOSE OR ITS CONTENTS DISCLOSED WITHOUT OUR WRITTEN CONSENT.